

# aiwa

**STEREO RECEIVER  
RECEPTOR ESTEREO  
AMPLI-TUNER STÉRÉO**

**AV-X100  
AV-X200**

**OPERATING INSTRUCTIONS  
MANUAL DE INSTRUCCIONES  
MODE D'EMPLOI**

**En** (English)

**E** (Español)

**F** (Français)

For Assistance And Information

***Call Toll Free 1-800-BUY-AIWA***

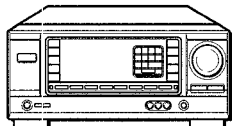
(United States and Puerto Rico)

## Welcome to the Aiwa Stereo Receiver

Congratulations on your purchase of an Aiwa Stereo Receiver. To optimize the performance of this system, please take the time to read through these Operating Instructions and become familiar with the operating procedures.

### Check your unit and accessories

AV-X100/AV-X200 Stereo receiver



Remote control



FM antenna



Operating Instructions, etc.

HT-M301 Remote control extender (for AV-X200 only)



AM antenna



### Owner's record

For your convenience, record the model number and serial number (you will find them on the rear of your unit) in the space provided below. Please refer to them when you contact your Aiwa dealer in case of difficulty.

Model No.	Serial No. (Lot No.)
AV-X100/AV-X200	

## TABLE OF CONTENTS

### PREPARATIONS

PRECAUTIONS .....	2
CONNECTIONS .....	3
BEFORE OPERATION .....	6
SETTING THE CLOCK .....	6

### SOUND

CUSTOM AUDIO ADJUSTMENT .....	7
ELECTRONIC GRAPHIC EQUALIZER .....	8
DSP SURROUND .....	8

### BASIC OPERATIONS

SELECTION OF AUDIO/VIDEO SOURCE .....	9
RECORDING AN AUDIO SOURCE .....	9

### RADIO RECEPTION

MANUAL TUNING .....	10
DIRECT TUNING .....	10
PRESETTING STATIONS .....	11

### DOLBY PRO LOGIC

SELECTING DOLBY PRO LOGIC .....	12
ADJUSTING SPEAKER LEVEL BALANCE .....	13

### REMOTE CONTROL

MEMORIZING SIGNAL CODES .....	14
-------------------------------	----

### TIMER

SETTING THE SLEEP TIMER .....	15
-------------------------------	----

### GENERAL

CARE AND MAINTENANCE .....	15
SPECIFICATIONS .....	16
TROUBLESHOOTING GUIDE .....	17

PARTS INDEX .....	17
-------------------	----

**CAUTION**

RISK OF ELECTRIC SHOCK  
DO NOT OPEN

"CAUTION: TO REDUCE THE RISK OF ELECTRIC SHOCK, DO NOT REMOVE COVER (OR BACK). NO USER-SERVICEABLE PARTS INSIDE. REFER SERVICING TO QUALIFIED SERVICE PERSONNEL."

#### Explanation of Graphical Symbols:



The lightning flash with arrowhead symbol, within an equilateral triangle, is intended to alert the user to the presence of uninsulated "dangerous voltage" within the product's enclosure that may be of sufficient magnitude to constitute a risk



The exclamation point within an equilateral triangle is intended to alert the user to the presence of important operating and maintenance (servicing) instructions in the literature accompanying the appliance.

### WARNING

TO REDUCE THE RISK OF FIRE OR ELECTRIC SHOCK, DO NOT EXPOSE THIS APPLIANCE TO RAIN OR MOISTURE.

# PRECAUTIONS

Read the Operating Instructions carefully and completely before operating the unit. Be sure to keep the Operating Instructions for future reference. All warnings and cautions in the Operating Instructions and on the unit should be strictly followed, as well as the safety suggestions below.

## Installation

- 1 **Water and moisture** — Do not use this unit near water, such as near a bathtub, washbowl, swimming pool, or the like.
- 2 **Heat** — Do not use this unit near heat sources, including heating vents, stoves, or other appliances that generate heat. It also should not be placed in temperatures less than 5°C (41°F) or higher than 35°C (95°F).
- 3 **Mounting surface** — Place the unit on a flat, even surface.
- 4 **Ventilation** — The unit should be situated with adequate space around it so that proper heat ventilation is assured. Allow 10 cm (4 in.) clearance from the rear and the top of the unit, and 5 cm (2 in.) from each side.
  - Do not place the unit on a bed, rug, or similar surface that may block the ventilation openings.
  - Do not install the unit in a bookcase, cabinet, or airtight rack where ventilation may be impeded.
- 5 **Objects and liquid entry** — Take care that objects or liquids do not get inside the unit through the ventilation openings.
- 6 **Carts and stands** — When placed or mounted on a stand or cart, the unit should be moved with care. Quick stops, excessive force, and uneven surfaces may cause the unit or cart to overturn or fall.
- 7 **Wall or ceiling mounting** — The unit should not be mounted on a wall or ceiling, unless specified in the Operating Instructions.

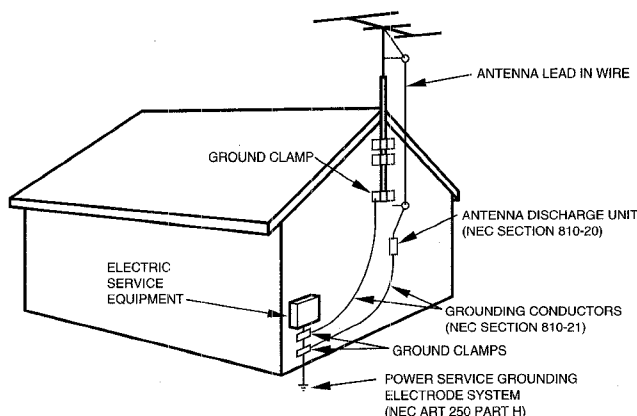


- 5 **When not in use** — Unplug the AC power cord from the AC power plug if the unit will not be used for several months or more. When the cord is plugged in, a small amount of current continues to flow to the unit, even when the power is turned off.

## Outdoor Antenna

- 1 **Power lines** — When connecting an outdoor antenna, make sure it is located away from power lines.
- 2 **Outdoor antenna grounding** — Be sure the antenna system is properly grounded to provide protection against unexpected voltage surges or static electricity build-up. Article 810 of the National Electrical Code, ANSI/NFPA70, provides information on proper grounding of the mast, supporting structure, and the lead-in wire to the antenna discharge unit, as well as the size of the grounding unit, connection to grounding terminals, and requirements for grounding terminals themselves.

Antenna Grounding According to the National Electrical Code



NEC-NATIONAL ELECTRICAL CODE

## Maintenance

Clean the unit only as recommended in the Operating Instructions.

## Damage Requiring Service

- Have the unit serviced by a qualified service technician if:
- The AC power cord or plug has been damaged
  - Foreign objects or liquid have gotten inside the unit
  - The unit has been exposed to rain or water
  - The unit does not seem to operate normally
  - The unit exhibits a marked change in performance
  - The unit has been dropped, or the cabinet has been damaged
- DO NOT ATTEMPT TO SERVICE THE UNIT YOURSELF.**

## Electric Power

- 1 **Power sources** — Connect this unit only to power sources specified in the Operating Instructions, and as marked on the unit.
- 2 **Polarization** — As a safety feature, some units are equipped with polarized AC power plugs which can only be inserted one way into a power outlet. If it is difficult or impossible to insert the AC power plug into an outlet, turn the plug over and try again. If it is not still inserted easily into the outlet, please call a qualified service technician to service or replace the outlet. To avoid defeating the safety feature of the polarized plug, do not force it into a power outlet.
- 3 **AC power cord**
  - When disconnecting the AC power cord, pull it out by the AC power plug. Do not pull the cord itself.
  - Never handle the AC power plug with wet hands, as this could result in fire or shock.
  - Power cords should be firmly secured to avoid being severely bent, pinched, or walked upon. Pay particular attention to the cord from the unit to the power socket.
  - Avoid overloading AC power plugs and extension cords beyond their capacity, as this could result in fire or shock.
- 4 **Extension cord** — To help prevent electric shock, do not use a polarized AC power plug with an extension cord, receptacle, or other outlet unless the polarized plug can be completely inserted to prevent exposure of the blades of the plug.

# CONNECTIONS

## CONNECTING EQUIPMENT

### Before connecting the AC cord

The rated voltage of your unit shown on the rear panel is 120 V AC. Check that the rated voltage matches your local voltage.

### IMPORTANT

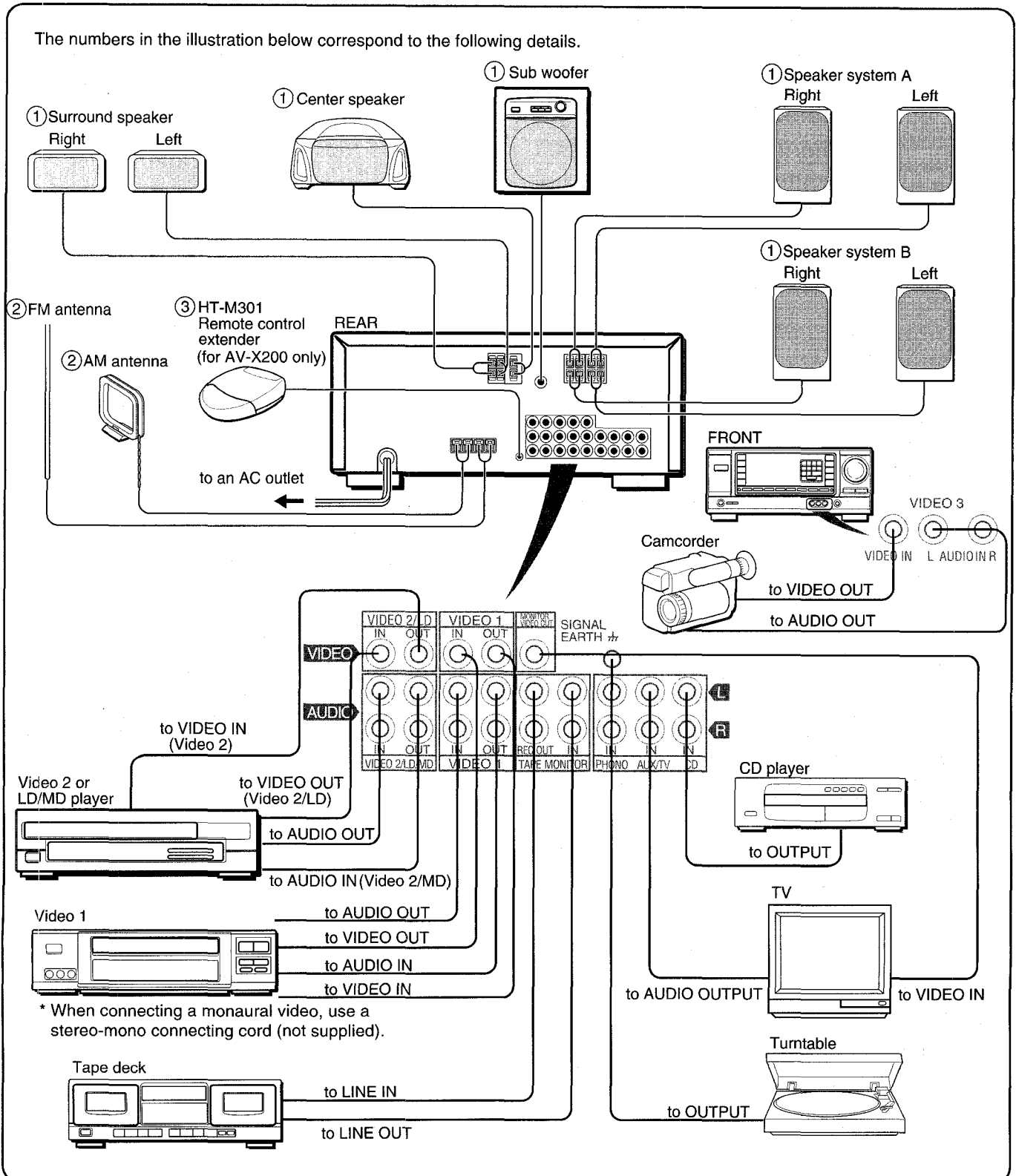
Connect the speakers, antennas, and all other external equipment first. Then connect the AC cord at the end.

Jacks and plugs of the connecting cord are color-coded as follows:

- Red jacks and plugs : For the right channel of audio signals
- White jacks and plugs: For the left channel of audio signals
- Yellow jacks and plugs: For video signals

### NOTE

Insert the plugs fully into the jacks. Loose connections may produce a humming sound or other noise interference.

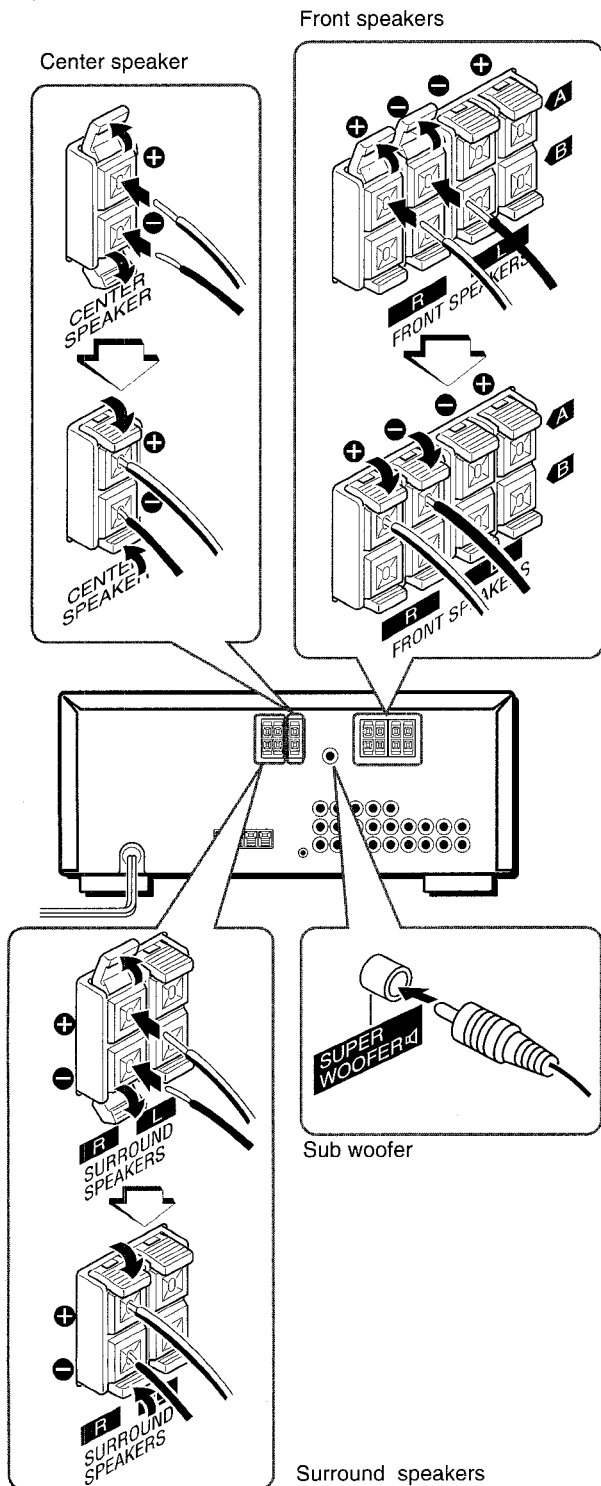


## CONNECTING SPEAKERS ①

Connect front speakers (system A and B), a center speaker and surround speakers to the unit.

Connect the front speaker cords to the FRONT SPEAKERS terminals, the center speaker cord to the CENTER SPEAKER terminals and the surround speaker cords to the SURROUND SPEAKERS terminals.

For more powerful bass, connect a sub woofer with a built-in amplifier to the SUPER WOOFER jack.

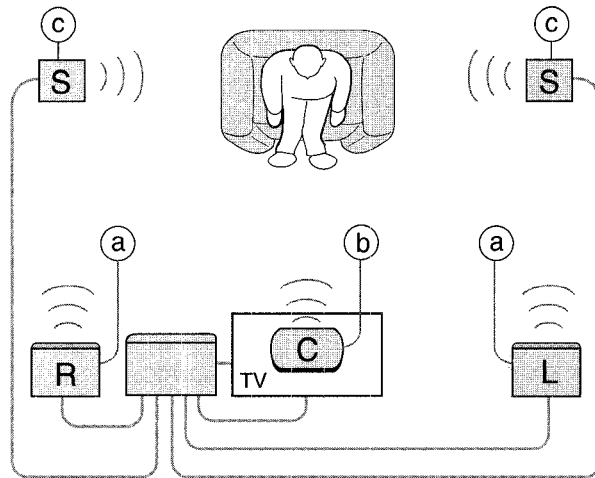


### NOTE

- Be sure to connect the speaker cords correctly. Improper connections can cause short circuits in the SPEAKER(S) terminals.
- Be sure to use the speakers of specified ohms.
- Do not leave objects generating magnetism near the speakers.
- When using a sub woofer, select the speaker system A (see page 6). Otherwise no sound can be heard from it.

## POSITIONING THE SPEAKERS

Position the speakers to make the most of the Dolby Pro Logic or DSP effect (see "DOLBY PRO LOGIC").



### (a) Front speakers

### (b) Center speaker

Position in the center of the two front speakers. In addition, position on or below the TV set, if connecting a TV set to the unit.

### (c) Surround speakers

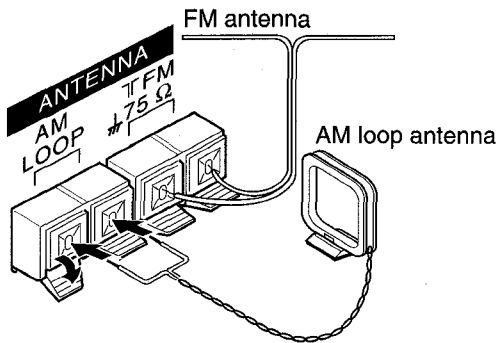
Place the surround speakers directly to the side of or slightly behind the listening area. Align them horizontally, about 1 meter (3.2 feet) above ear height.

### NOTE

- No sound is heard from the center and surround speakers when the Dolby Pro Logic and DSP are set to off.
- Sound is heard from the center speaker only when the Dolby Pro Logic is set to on.

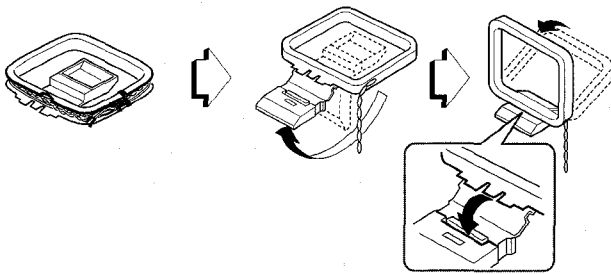
## CONNECTING THE SUPPLIED ANTENNAS ②

Connect the FM antenna to the FM 75 Ω terminals and the AM antenna to the AM LOOP terminals.



### To stand the AM loop antenna on a surface

Fix the claw to the slot as shown in the illustration.



### To position the antennas

#### FM feeder antenna:

Extend this antenna horizontally in a T shape and fix its ends to the wall.

#### AM loop antenna:

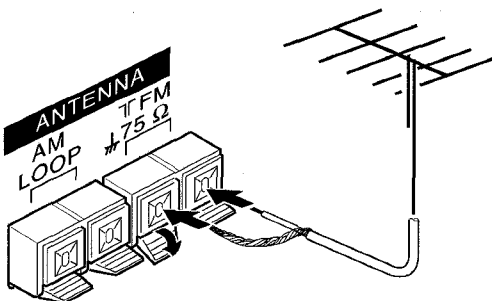
Position to find the best direction.

### NOTE

- Do not bring the FM antenna near metal objects or curtain rails.
- Do not bring the AM antenna near other external equipment, the unit itself, the AC power cord or speaker cords, as noise will be picked up.
- Do not unwind the AM loop antenna wire.

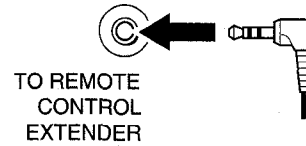
## CONNECTING AN OUTDOOR ANTENNA

For better FM reception, use of an outdoor antenna is recommended. Connect the outdoor antenna to the FM 75 Ω terminals.



## CONNECTING THE SUPPLIED REMOTE CONTROL EXTENDER ③ (AV-X200 only)

Connect the HT-M301 remote control extender to the TO REMOTE CONTROL EXTENDER jack on the rear panel.



### NOTE

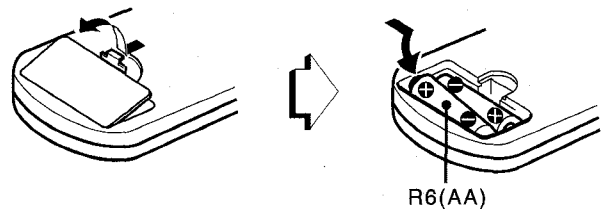
Position the supplied remote control extender so that the line of sight between the remote control extender and the connected equipment will not be obstructed by a rack or opaque glass.

## REMOTE CONTROL

This remote control system can memorize other remote control signal codes (see "MEMORIZING SIGNAL CODES"), and allows you to operate external equipment with it through the supplied remote control extender (AV-X200 only).

### Inserting batteries

Detach the battery cover on the rear of the remote control and insert two R6 (size AA) batteries.



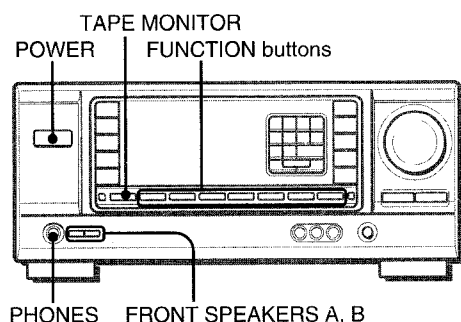
### When to replace the batteries

The maximum operational distance between the remote control and the sensor on the unit should be approximately 5 meters (16 feet). When this distance decreases, replace the batteries with new ones.

### NOTE

- If the unit is not going to be used for an extended period of time, remove the batteries to prevent possible electrolyte leakage.
- The remote control may not operate correctly when:
  - The line of sight between the remote control and the remote sensor in the display window is exposed to intense light, such as direct sunlight.
  - Other remote controls are used nearby (those of television, etc.)

## BEFORE OPERATION



### To turn the unit on

Press one of the FUNCTION buttons (TUNER, PHONO, AUX/TV, CD, VIDEO 1, VIDEO 2, VIDEO 3) or the TAPE MONITOR button. When pressing the TUNER button, the previously tuned station is received (Direct Play Function). The POWER button is also available.

### NOTE

When turning the unit on:

- Turn the VOLUME control toward MIN. Otherwise, the speakers may be damaged
- Operation is impossible for four seconds

### To change a source name on the display

With the power on, press the POWER button while pressing the AUX/TV or VIDEO 2 button.

Repeat the procedure to select one of the names shown below.

AUX or TV: For the AUX/TV button

VIDEO 2, LD or MD: For the VIDEO 2 button

### To select the front speaker system

To use speaker system A: Press the FRONT SPEAKERS A button.

To use speaker system B: Press the FRONT SPEAKERS B button.

To use both speaker systems : Press both the buttons.

Press the button(s) again to set the speaker system(s) to off.

### NOTE

As the front speaker systems A and B are connected in series:

- The sound will be slightly decreased when using both speaker systems
- No sound can be heard if the FRONT SPEAKERS A and B buttons are set to on when only one speaker system is connected

### Using the headphones

Connect headphones to the PHONES jack with stereo standard plug (ø6.3 mm, 1/4 inch).

Be sure to set the FRONT SPEAKERS A and B buttons to off.

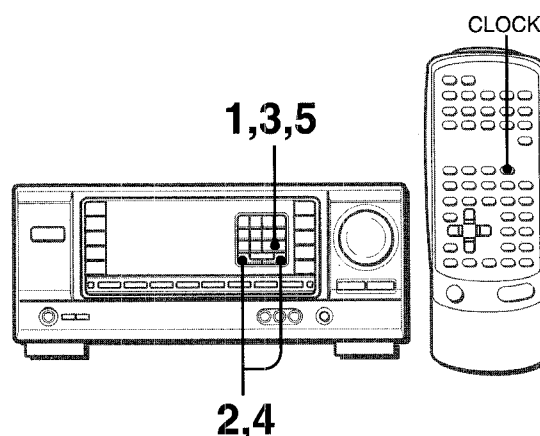
### NOTE

When using the headphones, set the Dolby Pro Logic and DSP system to off.

### After use

Press the POWER button to turn off the unit. The display changes to the clock.

## SETTING THE CLOCK

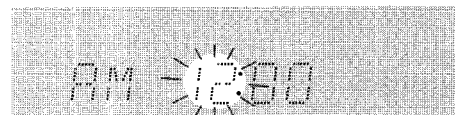


When the AC cord is connected for the first time, the clock on the display flashes.

Set the time as follows while the power is off.

### 1 Press the SET button.

The hour flashes.



### 2 Press the DOWN▼ or UP▲ button to designate the hour.

### 3 Press the SET button to set the hour.

The hour stops flashing and the minute starts flashing.

### 4 Press the DOWN▼ or UP▲ button to designate the minute.

### 5 Press the SET button to set the minute and complete setting.

The minute stops flashing on the display and the clock starts from 00 second.

### To correct the current time

Press the POWER button to turn the unit off. Press the SET button and carry out steps 1 to 5 above.

### To display the current time

Press the CLOCK button on the remote control. The clock is displayed for 4 seconds.

### To switch to the 24-hour standard

Press the POWER button while pressing the UP▲ or DOWN▼ button.

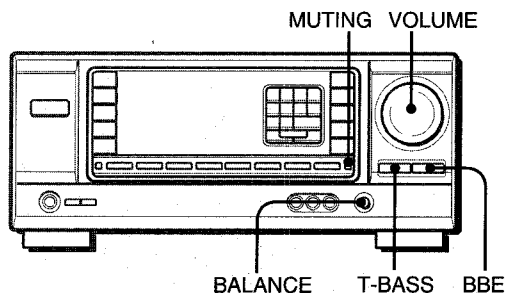
Repeat the same procedure to restore the 12-hour standard.

### If the clock display flashes while the power is off

This is caused by a power interruption. The current time needs to be reset.

If power is interrupted for more than approximately 24 hours, all settings stored in memory after purchase needs to be reset.

# CUSTOM AUDIO ADJUSTMENT



## VOLUME CONTROL

Turn the VOLUME control on the unit, or press the VOLUME buttons on the remote control.

### To adjust the left/right balance

Turn the BALANCE control.

### To mute the sound temporarily

Press the MUTING button.

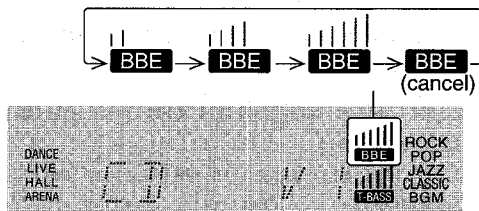
"MUTE ON" appears on the display for four seconds. While muting the sound, the selected FUNCTION button flashes. Press it again to restore the sound.

## BBE SYSTEM

The BBE system enhances the clarity of high-frequency sound.

**Press the BBE button.**

Each time it is pressed, the level changes. Select one of the three levels, or the off position to suit your preference.



**NOTE**

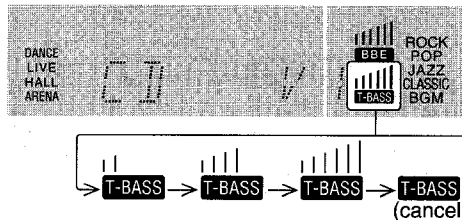
The BBE system is automatically canceled when Dolby Pro Logic is turned on.

## SUPER T-BASS SYSTEM

The T-BASS system enhances the realism of low-frequency sound.

**Press the T-BASS button.**

Each time it is pressed, the level changes. Select one of the three levels, or the off position to suit your preference.



**NOTE**

Low-frequency sound may be distorted when the T-BASS system is used for a disc or tape in which low-frequency sound is originally emphasized. In this case, cancel the T-BASS system.

## SOUND ADJUSTMENT DURING RECORDING

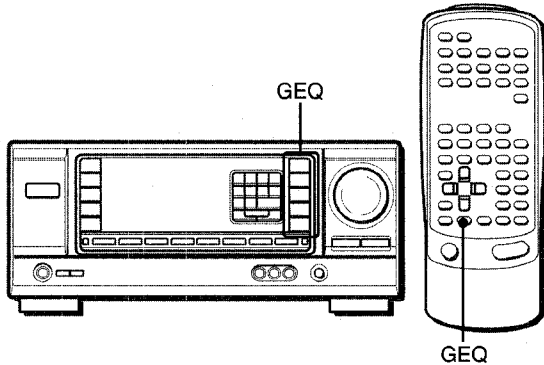
The output volume and tone (except BBE) of the speakers or headphones may be freely varied without affecting the level of the recording.

### Recording with the BBE

When recording on the tape deck through the REC OUT jacks, the desired source can be recorded with the BBE function to enhance the clarity of high-frequency sound. When playing back a tape recorded with BBE, it is recommended that BBE be set to off.



# ELECTRONIC GRAPHIC EQUALIZER

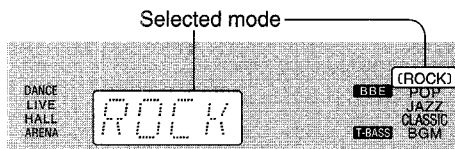


This unit provides the following five different equalization modes.

- ROCK:** Powerful sound emphasizing treble and bass
- POP:** More presence in the vocals and midrange
- JAZZ:** Accented lower frequencies for jazz-type music
- CLASSIC:** Enriched sound with heavy bass and fine treble
- BGM:** Calm tone with suppressed bass and treble

### Press one of the GEQ (Graphic Equalizer) buttons.

The selected mode name appears on the display for two seconds, and the selected mode on the right side of the display is enclosed with parentheses.



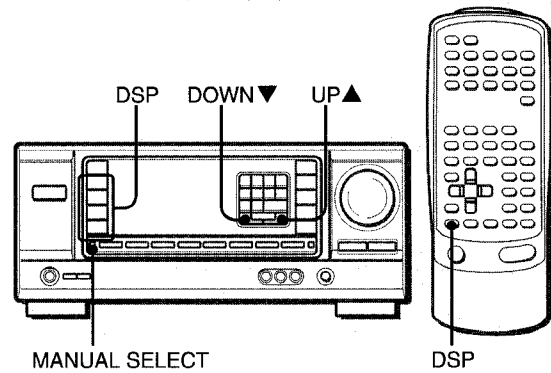
### To cancel the selected mode

Press the selected button again. "GEQ OFF" appears on the display.

### To select with the remote control

Press the GEQ button repeatedly until the desired equalization mode is displayed.

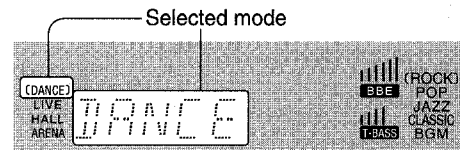
# DSP SURROUND



The DSP (Digital Signal Processor) surround circuits can recreate the effect of sounds reflected from walls or ceilings, to obtain the sound presence of real environments. There are four modes with matching graphic equalization modes. Equalization modes are selected automatically and can also be selected or turned off to suit your preference.

### Press one of the DSP buttons (DANCE, LIVE, HALL or ARENA).

The selected mode name appears on the display for two seconds, and the selected mode on the left side of the display is enclosed with parentheses.



### When the music source is monaural

Select LIVE to obtain a simulated stereo effect. When DANCE, HALL or ARENA is selected, no sound will be heard from the surround speakers.

### To cancel the selected mode

Press the selected button again. "DSP-OFF" appears on the display. While the DSP surround system is off, no sound is heard from the surround speakers.

### To select with the remote control

Press the DSP button repeatedly until the desired DSP mode is displayed.

### To adjust the volume of the surround speakers

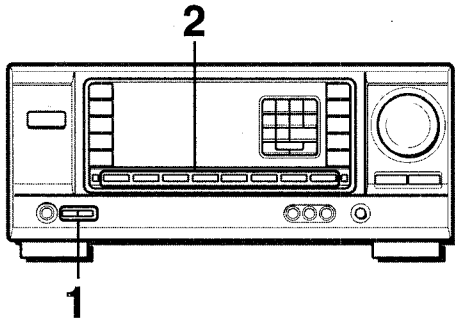
Press the MANUAL SELECT button once. "SUR" is displayed for four seconds. Press the UP▲ or DOWN▼ button while "SUR" is displayed.

Note that the Dolby Pro Logic surround speakers level is also changed (see page 13).

### NOTE

The DSP system is automatically canceled when the DOLBY PRO LOGIC is turned on.

## **SELECTION OF AUDIO/VIDEO SOURCE**

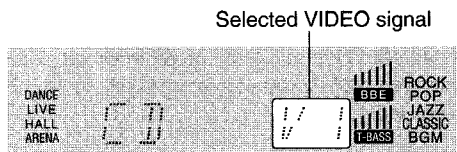


- 1 Select the speaker system with the FRONT SPEAKERS A and B buttons.**  
Press one of the FRONT SPEAKERS buttons.
- 2 Select the program source.**  
Press one of the FUNCTION buttons or the TAPE MONITOR button.

To listen to or watch	The button pressed
Tape	TAPE MONITOR
Radio	TUNER
Record	PHONO
Television, etc.	AUX/TV
Compact disc	CD
Video (LD or MD)	VIDEO 1, VIDEO 2 (LD/MD), VIDEO 3

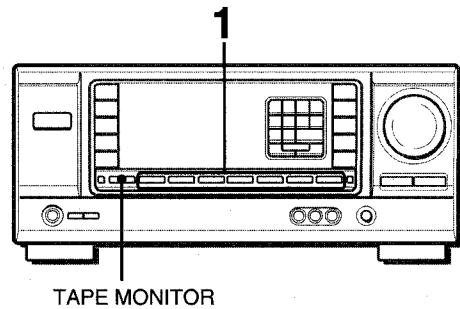
- 3 Start the selected program source.**
- 4 Adjust the sound.**

### About the video signal to the monitor or TV



The selected video signal output through the MONITOR VIDEO OUT jack is indicated on the display.

## **RECORDING AN AUDIO SOURCE**



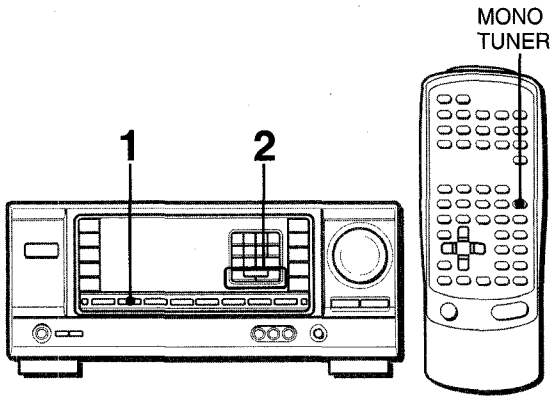
- 1 Select the program source to be recorded.**  
Press one of the FUNCTION buttons.
- 2 Set the tape deck or MD recorder to the recording mode.**
- 3 Start the selected program source.**

**To monitor recorded sound during recording (when the connected tape deck is a three-head system)**  
Press the TAPE MONITOR button. "TAPE ON" appears on the display for four seconds, and then the source name selected in step 1 comes back on. To cancel the tape monitor, press it again so that "TAPE OFF" appears.

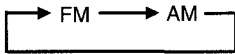
### **NOTE**

- Any sound control except the BBE system has no effect on recording (see page 7).
- Recorded sound cannot be monitored if the connected tape deck is not a three-head system.

# MANUAL TUNING



1 Press the TUNER button repeatedly to select the desired band.



If the power is turned off, the previously tuned station will be played (Direct Play Function).

2 Press the UP▲ or DOWN▼ button to select a station.

Each time the button is pressed, the frequency changes. When a station is received, "TUNE" is displayed for two seconds. During FM stereo reception, ((Ⓜ)) is displayed.



### To search for a station quickly (Auto Search)

Keep the UP▲ or DOWN▼ button pressed until the tuner starts searching for a station. After tuning in to a station, the search stops.

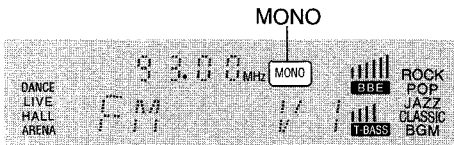
To stop the Auto Search manually, press the UP▲ or DOWN▼ button.

- The Auto Search may not stop at stations with very weak signals.

### When an FM stereo broadcast contains noise

Press the MONO TUNER button on the remote control so that "MONO" appears on the display.

Noise is reduced, although reception is monaural.



To restore stereo reception, press the button so that MONO disappears.

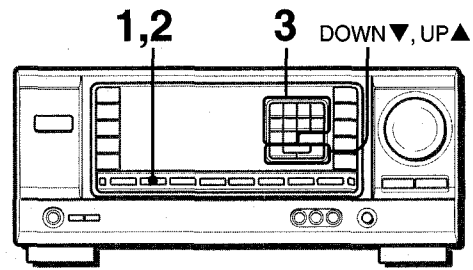
### To change the AM tuning interval

The default setting of the AM tuning interval is 10 kHz/step. If you use this unit in an area where the frequency allocation system is 9 kHz/step, change the tuning interval.

Hold down the TUNER button and press the POWER button immediately. Note that the unit is set to the Direct Tuning mode if the TUNER button is pressed and held down for about two seconds.

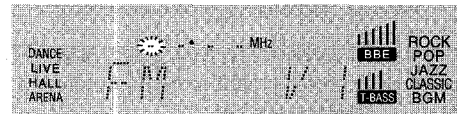
To reset the interval, repeat this procedure.

# DIRECT TUNING



When you know the frequency of the desired station, you can tune in directly to the station.

- 1 Press the TUNER button to select a band.
- 2 Press the TUNER button and hold it down until "\_" flashes on the display (Direct Tuning Mode).



3 Press the appropriate numeric buttons to tune in to the desired station.

Example:

- To tune in to 106.50 MHz, press 1, 0, 6, 5 and 0 buttons.
- To tune in to 95.25 MHz, press 9, 5, 2 and 5 buttons.

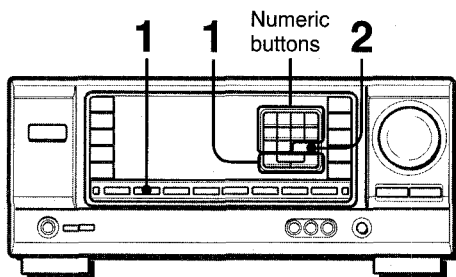
### To cancel the Direct tuning mode

Press the UP▲ or DOWN▼ button.

### NOTE

- When entering a frequency out of tuning range, the value flashes for two seconds and then goes off. Check the frequency and repeat step 3 correctly.
- When entering a frequency not covered by the tuning interval, the value is automatically rounded up or down to the closest one covered by it.

# PRESETTING STATIONS

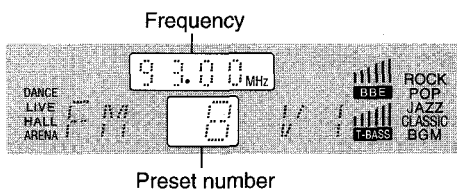


The unit can store a total of 32 preset stations. When a station is stored, a preset number is assigned to the station. Use the preset number to tune in to a preset station directly.

**1 Press the TUNER button to select the band, and press the UP▲ or DOWN▼ button to select a station. Direct tuning is also available.**

**2 Press the SET button to store the station.**

A station is assigned a preset number, beginning from 1 in consecutive order for each band.



**3 Repeat steps 1 and 2.**

No more stations will be stored if a total of 32 stations have already been stored for all the bands.

## NOTE

When the AM tuning interval is changed, all preset stations are cleared. The preset stations have to be set again.

## PRESET NUMBER TUNING

**1 Press the TUNER button to select a band.**

**2 Press the numeric buttons to select a preset number.**

Example:

To select preset number 25, press 2 and 5.

To select preset number 7, press 0 and 7.

**To clear a preset station**

Select the preset number of the station to be cleared. Then, press the SET button, and press the SET button again within four seconds.

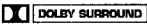
The preset numbers of all other stations in the band with higher numbers are decreased by one.

# DOLBY PRO LOGIC

The Dolby Pro Logic feature and the center and surround speakers (standard) assure full-scale home theater sound. When playing back laser discs or video software that have been specially recorded with four-channel sound (left, right, center, surround) and steering logic (for directing sound), astonishingly realistic sound surrounds the listener to create a new level of audio/visual entertainment.

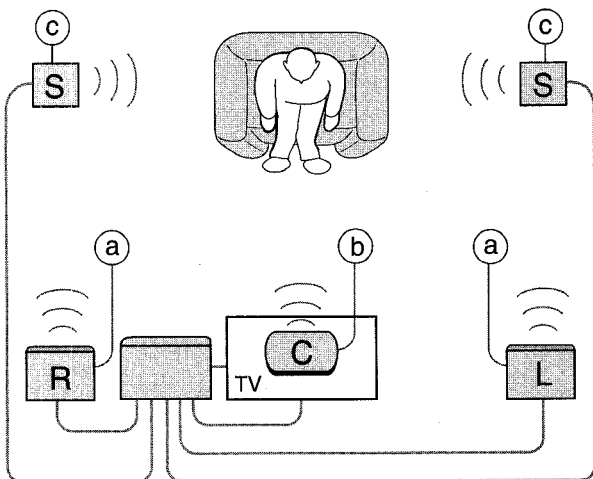
Independent control of the four channels allows the listener to enjoy the same type of sound reproduction experienced in movie theaters. Voices are reproduced in the front and center sound field, while ambient sounds like cars and crowds are reproduced on all sides of the listener for an incredibly lifelike audio/video experience. Please read the following carefully to "tune" the system's output to match the characteristics of your listening space.

### Check the following:

- Before using the DOLBY PRO LOGIC, adjust the proper balance of the speaker sound levels (see page 13).
- Make sure the speakers are properly connected and positioned (see pages 3 and 4).
- Make sure the TV set and video unit are properly connected (see page 3).
- Make sure the laser disc and video tape, etc., support  .

## SELECTING DOLBY PRO LOGIC

The optimal Dolby Pro Logic mode depends on the type and placement of the speakers. It is recommended that the optional Aiwa speakers should be used for all channels, the SX-R260 for surround speakers, the SX-C500 for a center speaker and the SX-AV500 for front speakers. Check your current type and placement of the speakers and select the recommended Dolby Pro Logic mode accordingly.



- (a) Front speakers
- (b) Center speaker
- (c) Surround speakers

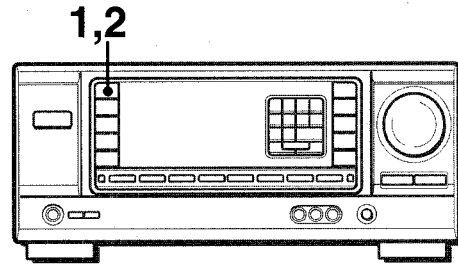
### The recommended mode

	Center speaker		
	Larger-size	Smaller-size	No speaker
Surround speaker (Rear speaker)	DOLBY PRO LOGIC-WIDE	DOLBY PRO LOGIC-NORMAL	PHANTOM
No surround speaker	3CH LOGIC-WIDE	3CH LOGIC-NORMAL	-

**PHANTOM mode:** Select this mode when the center speaker is not connected. All center channel signals are redistributed to the left and right channel speakers.

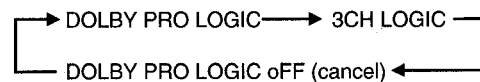
**3CH LOGIC mode:** Select this mode when the surround speakers are not connected.

### TO SELECT A DOLBY PRO LOGIC MODE



#### 1 Press the DOLBY PRO LOGIC button repeatedly to select the appropriate mode.

When selecting the DOLBY PRO LOGIC or 3CH LOGIC mode, the indicator lights up, and the selected mode name runs through on the display. Each time the button is pressed, the mode changes as shown below.

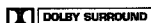


#### 2 Press the DOLBY PRO LOGIC button again and hold it down until the center speaker mode to be selected appears.

When selecting the DOLBY PRO LOGIC mode in step 1: "NORMAL", "WIDE" and "PHANTOM" appear in turn.

When selecting the 3CH LOGIC mode in step 1: "NORMAL" and "WIDE" appear one after another.

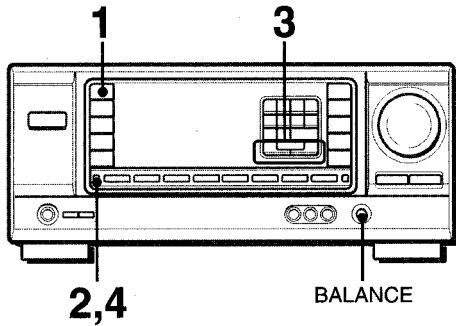
### NOTE

- Depending on the sound source or listening condition, surround effect may not be obtained even when the DOLBY PRO LOGIC is on.
- The full DOLBY PRO LOGIC effect cannot be obtained when using the software without  mark. In this case, use the DSP surround system instead (see page 8).
- The DOLBY PRO LOGIC system is automatically canceled when the BBE or DSP system is turned on.

RADIO RECEPTION  
DOLBY PRO LOGIC

En

# ADJUSTING SPEAKER LEVEL BALANCE



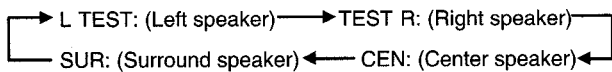
The unit is equipped with a built-in test signal generator called a noise sequencer for easy balance adjustment of all four channels. The sequencer outputs a noise signal that “travels” from channel to channel, enabling the simple adjustment of sound level to achieve the same apparent loudness, at your listening position, from each channel.

- 1 Select the Dolby Pro Logic mode according to your current type and placement of the speakers. (See page 12.)
- 2 Press the MANUAL SELECT button and hold it down for about two seconds until “L TEST” appears.

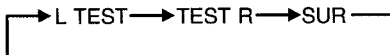


A noise signal is sent to each channel in turn as follows:

### DOLBY PRO LOGIC NORMAL or WIDE mode



### DOLBY PRO LOGIC PHANTOM mode

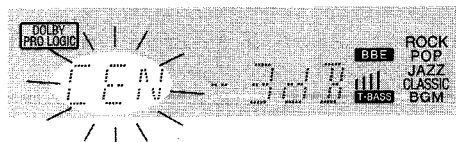


### 3CH LOGIC NORMAL or WIDE mode



- 3 Adjust the sound level of the center and (or) surround speakers.

While “CEN” or “SUR” is displayed, press the UP▲ or DOWN▼ button to adjust the volume of the center or surround speakers to match the level of the left and right speakers.



To adjust the balance between the left and right speakers, use the BALANCE control while “L TEST” or “TEST R” is displayed.

- 4 Press the MANUAL SELECT button again to stop the noise signal.

### NOTE

If the surround speakers volume of the DSP is changed (see page 8), the Dolby Pro Logic surround speakers level is also changed.

### About the channels

The left and right speakers create the stereo effect.

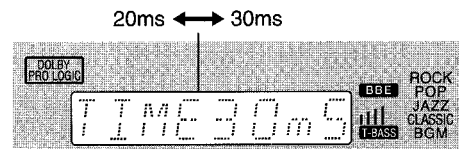
The center speaker helps achieve precise sound positioning over a broad sound field.

The rear-mounted surround speakers enhance the “depth” of the sound field.

### To change the delay time

The surround speakers reproduce sounds a split second after the front speakers. The delay is initially set to 20 ms (milliseconds).

To change this standard delay time, press the MANUAL SELECT button twice or three times so that “TIME” is displayed. Then, press the UP▲ or DOWN▼ button. Each time one of the buttons is pressed, the delay time changes as shown below.

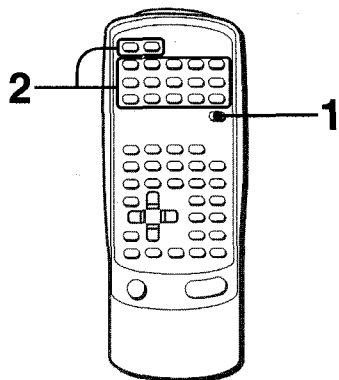


### To change the sound levels after adjusting the balance with the noise sequencer

The sound levels of the center and surround speakers can be adjusted during play of a laser disc or video software.

- 1 Press the MANUAL SELECT button once or twice to select “CEN” or “SUR” (center or surround).
- 2 While the “CEN” or “SUR” is displayed, press the UP▲ or DOWN▼ button to adjust the volume.

# MEMORIZING SIGNAL CODES (AV-X200 only)

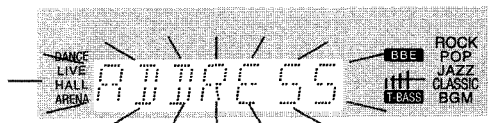


The supplied remote control allows you to operate the connected equipment as well as the receiver by storing the signal codes of the connected equipment remote control. When operating this remote control, the signal codes stored are transmitted from the supplied remote control extender and external equipment will be operated. It can store a total of 30 signal codes of the external remote control.

Use the remote control.

### 1 Press the LEARN button.

"ADDRESS" flashes on the display window.



### 2 Press one of the MEMORY buttons (A-O), then the ADDRESS 1 or 2 button to designate the button on which the signal code is stored.

The indication you designated appears on the display.

Example: When designating the ADDRESS 1 on the MEMORY A button.



### 3 Pointing the remote control of the connected equipment toward the unit, press the function button on it to be stored.

"LEARN" will appear when the signal code is stored.

"ERROR" may appear if the signal code is not accepted.



After two seconds, the display returns to step 1.

### 4 Repeat steps 2 and 3 to store other signal codes.

### To stop storing

Press the LEARN button.

### NOTE

- The signal code of the external remote control may not be received:
  - When the signal code to be stored is not standard
  - When a fluorescent lamp lights up near the remote sensor in the display window
- Some signal codes, for example, those of the VOLUME UP/DOWN button, the SEARCH button and the SEND button to transmit the timer recording program may not be memorized correctly.
 

When operating external equipment with the MEMORY and the ADDRESS buttons on which such signal codes are stored, operations may not perform well.
- When designating a button on which the signal code has already been stored, the previous data is erased.

### To operate the connected equipment

Press one of the MEMORY buttons, and the ADDRESS 1 or 2 button on which the signal code has been stored.

### NOTE

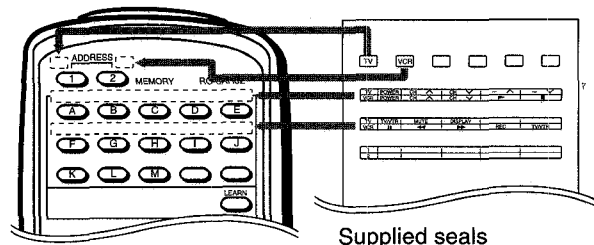
- Set the remote control extender so that it points toward external equipment to be operated.
- As the remote control extender is not supplied to AV-X100, this function is not available.

### Using the supplied seals

Put the supplied seals on the remote control to identify the buttons and addresses on which the signal codes of external remote controls are stored.

It is recommended to store the signal codes in printed order of the seals. If they do not suit your arrangement or operation, use the supplied blank seals.

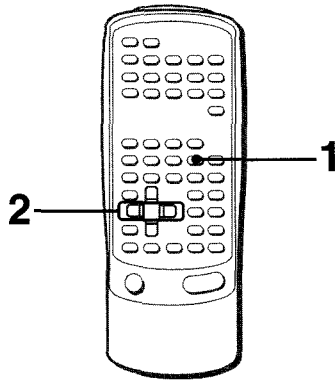
Take the seals off the sheet and put them on the remote control.



DOLBY PRO LOGIC  
REMOTE CONTROL

En

## **SETTING THE SLEEP TIMER**



The unit can be automatically turned off at a specified time.

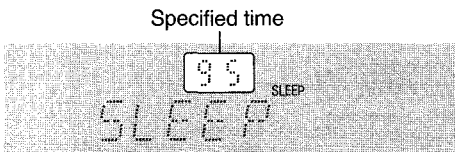
Use the remote control.

### **1 Press the SLEEP button.**



### **2 Press the UP▲ or DOWN▼ button within four seconds to specify the amount of time until the power turns off .**

Each time the button is pressed, the time changes between 5 and 240 minutes in 5-minute steps.



### **To check the time remaining until the power turns off**

Press the SLEEP button once. The remaining time is displayed for four seconds.

### **To cancel the sleep timer**

Press the SLEEP button twice so that "SLEEP" on the display disappears.

## **CARE AND MAINTENANCE**

Occasional care and maintenance of the unit is needed to optimize the performance of your unit.

### **To clean the cabinet**

Use a soft dry cloth.

If the surfaces are extremely dirty, use a soft cloth lightly moistened with mild detergent solution. Do not use strong solvents, such as alcohol, benzine or thinner as these could damage the finish of the unit.



# SPECIFICATIONS

## FM tuner section

Tuning range	87.5 MHz to 108 MHz
Usable sensitivity (IHF)	13.2 dBf
Antenna terminals	75 ohms (unbalanced)

## AM tuner section

Tuning range	530 kHz to 1710 kHz (10 kHz step), 531 kHz to 1602 kHz (9 kHz step)
Usable sensitivity	350 $\mu$ V/m
Antenna	Loop antenna

## Amplifier section

Power output	<b>[Stereo Mode]</b> <b>Front</b> AV-X200: 120 watts per channel, Min. RMS at 8 ohms, from 40 Hz to 20 kHz, with no more than 0.8% Total Harmonic Distortion AV-X100: 65 watts per channel, Min. RMS at 8 ohms, from 40 Hz to 20 kHz, with no more than 0.8% Total Harmonic Distortion <b>[Dolby Pro Logic Mode]</b> <b>Front</b> AV-X200: 100 watts per channel, Min. RMS at 8 ohms, from 40 Hz to 20 kHz, with no more than 0.8% Total Harmonic Distortion AV-X100: 60 watts per channel, Min. RMS at 8 ohms, from 40 Hz to 20 kHz, with no more than 0.8% Total Harmonic Distortion <b>Rear (Surround)</b> AV-X200: 50 watts per channel, Min. RMS at 16 ohms, 1 kHz, with no more than 0.8% Total Harmonic Distortion AV-X100: 10 watts per channel, Min. RMS at 16 ohms, 1 kHz, with no more than 0.8% Total Harmonic Distortion <b>Center</b> AV-X200: 100 watts, Min. RMS at 8 ohms, 1 kHz, with no more than 0.8% Total Harmonic Distortion AV-X100: 60 watts, Min. RMS at 8 ohms, 1 kHz, with no more than 0.8% Total Harmonic Distortion AV-X200: 0.07 % (105 W, 1 kHz, 8 ohms, Front) AV-X100: 0.06 % (40 W, 1 kHz, 8 ohms, Front)
Total harmonic distortion	
Inputs	AUDIO IN PHONO: 2.8 mV (50 kohms) CD: 300 mV (50 kohms) TAPE MONITOR: 200 mV (25 kohms) VIDEO 1, VIDEO 2/LD/MD, VIDEO 3, AUX/TV: 250 mV (50 kohms) VIDEO IN: 1 Vp-p (75 ohms)

## Outputs

AUDIO OUT (REC OUT): 200 mV (2 kohms)
VIDEO OUT (MONITOR): 1 Vp-p (75 ohms)
SUPER WOOFER: 3.1 V (AV-X200)/ 2.19 V (AV-X100)
FRONT SPEAKERS IMP: 8 $\Omega$ (front speakers A and B): accepts speakers of 8 ohms or more
SURROUND SPEAKERS IMP: 16 $\Omega$ (surround speakers): accepts speakers of 16 ohms or more
CENTER SPEAKER IMP: 8 $\Omega$ : accepts a speaker of 8 ohms or more
PHONES (stereo jack): accepts headphones of 32 ohms or more
-20 dB

## Muting

## General

Power requirements	120 V AC, 60 Hz
Power consumption	AV-X200: 135 W AV-X100: 115 W
Dimensions (W x H x D)	360 x 153.5 x 330.5 mm (14 <sup>1</sup> / <sub>4</sub> x 6 <sup>1</sup> / <sub>8</sub> x 13 <sup>1</sup> / <sub>8</sub> in.)
Weight	AV-X200: 9.6 kg (21 lb 3 oz.) AV-X100: 8.1 kg (17 lb 13 oz.)

Specifications and external appearance are subject to change without notice.

## BBE SYSTEM

The word "BBE" and the "BBE symbol" are trademarks of BBE Sound, Inc.  
Under license from BBE sound, Inc.

## DOLBY PRO LOGIC

Manufactured under license from Dolby Laboratories Licensing Corporation.

"DOLBY" the double-D symbol  and "PRO LOGIC" are trademarks of Dolby Laboratories Licensing Corporation.

TIMER  
GENERAL

En

# TROUBLESHOOTING GUIDE

If the unit fails to perform as described in these Operating Instructions, check the following guide.

## GENERAL

### There is no sound.

- Is the AC cord connected properly?
- Is there an incorrect connection? (→ page 3)
- There may be a short circuit in the speaker terminals.
  - Disconnect the AC cord, then correct the speaker connections.
- Was an incorrect function button pressed?
- Are the FRONT SPEAKERS A and B buttons set correctly? (→ page 6)

### Sound is emitted from one speaker only.

- Is the BALANCE control set appropriately?
- Is the other speaker disconnected?

### Sound is heard at a very low volume.

- Has the MUTING button been pressed?

### An erroneous display or a malfunction occurs.

- Reset the unit as stated below.

## TUNER SECTION

### There is constant, wave-like static.

- Is the antenna connected properly? (→ page 5)
- Is the signal weak?
  - Connect an outdoor antenna.

### The reception contains noise interference or the sound is distorted.

- Is the system picking up external noise or multipath distortion?
  - Change the orientation of the antenna.
  - Move the unit away from other electrical appliances.

### To reset

If an unusual condition in the display window or malfunction occurs, reset the unit as follows.

- 1 Press the POWER button to turn off the power.
- 2 Press the POWER button while pressing the SET button.  
Everything stored in memory after purchase is canceled.

If the power cannot be turned off in step 1 because of a malfunction, reset by disconnecting the AC cord and repeat step 2.

# PARTS INDEX

Instructions about each part on the unit or remote control are indicated on the pages listed below.

(in alphabetic order)

Parts	Pages
ADDRESS	14
AUX/TV	6, 9
BALANCE	7, 13
BBE	7
CD	6, 9
CLOCK	6
DOLBY PRO LOGIC	12
DOWN ▼ (◀)	6, 8, 10, 11, 13, 15
DSP	8
FRONT SPEAKERS A, B	6, 9
GEQ	8
LEARN	14
MANUAL SELECT (TEST)	13
MEMORY	14
MONO TUNER	10
MUTING, MUTE	7
PHONES	6
POWER	6
SET	6, 11
SLEEP	14
TAPE MONITOR	6, 9
T-BASS	7
TUNER, BAND DIRECT	6, 9, 10, 11
UP ▲ (▶)	6, 8, 10, 11, 13, 15
VIDEO 1	6, 9
VIDEO 2, LD/MD	6, 9
VIDEO 3	6, 9
VOLUME	7

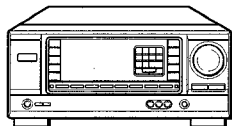


## Bienvenido al receptor estéreo Aiwa

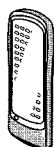
Enhorabuena por la adquisición de este receptor estéreo Aiwa. Para sacar el máximo rendimiento de este sistema, lea detenidamente este Manual de instrucciones y familiarícese con los procedimientos de operación.

### Compruebe su unidad y accesorios.

Receptor estéreo AV-X100/AV-X200



Controlador remoto



Antena de FM



Prolongador para el controlador remoto HT-M301 (para el AV-X200 solamente)



Antena de AM



Manual de instrucciones, etc.

### Anotación del propietario

Para su conveniencia, anote el número de modelo y el número de serie (los encontrará en el panel trasero de su aparato) en el espacio suministrado más abajo. Menciónelos cuando se ponga en contacto con su concesionario Aiwa en caso de tener dificultades.

N.º de modelo	N.º de serie (N.º de lote)
AV-X100/AV-X200	

## INDICE

### PREPARATIONS

PRECAUCIONES .....	2
CONEXIONES .....	3
ANTES DE LA OPERACION .....	6
PUESTA EN HORA DEL RELOJ .....	6

### SONIDO

AJUSTE DEL SONIDO A SU GUSTO .....	7
ECUALIZADOR GRAFICO ELECTRONICO .....	8
SONIDO PERIMETRICO DEL PROCESADOR DE SEÑAL DIGITAL .....	8

### OPERACIONES BASICAS

SELECCION DE UNA FUENTE DE AUDIO/VIDEO .....	9
GRABACION DE UNA FUENTE DE AUDIO .....	9

### ESCUCHA DE LA RADIO

SINTONIA MANUAL .....	10
SINTONIA DIRECTA .....	10
MEMORIZACION DE EMISORAS .....	11

### DOLBY PRO LOGIC

SELECCION DE DOLBY PRO LOGIC .....	12
AJUSTE DEL EQUILIBRIO DEL NIVEL ENTRE ALTAVOCES .....	13

### CONTROLADOR REMOTO

MEMORIZACION DE CODIGOS DE SEÑAL .....	14
--	----

### TEMPORIZADOR

PROGRAMACION DEL TEMPORIZADOR CRONODESCONECTADOR .....	15
--	----

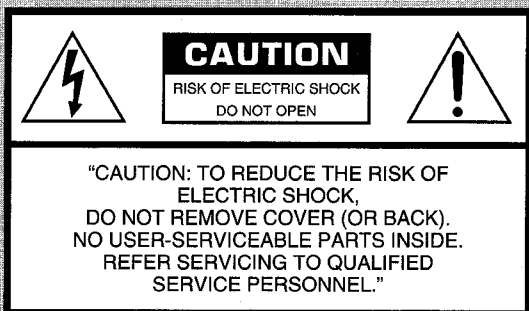
### GENERALIDADES

CUIDADOS Y MANTENIMIENTO .....	15
ESPECIFICACIONES .....	16
GUIA PARA LA SOLUCION DE PROBLEMAS .....	17

INDICE DE LAS PARTES .....	17
----------------------------	----

## ADVERTENCIA

PARA REDUCIR EL RIESGO DE INCENDIOS O SACUDIDAS ELECTRICAS, NO EXPONGA ESTE APARATO A LA LLUVIA NI A LA HUMEDAD.



### Explicación de los símbolos gráficos:

El símbolo del rayo con punta de flecha, en el interior de un triángulo equilátero, tiene la finalidad de avisar al usuario de la presencia de "tensiones peligrosas" sin aislar en el interior del producto que podrían ser de suficiente magnitud como para constituir un riesgo de sacudida eléctrica para las personas.



El signo de exclamación en el interior de un triángulo equilátero tiene la finalidad de avisar al usuario de la presencia de instrucciones de operación y mantenimiento (reparación) en el material impreso que acompaña al aparato.



## PRECAUCIONES

Antes de utilizar la unidad, lea cuidadosa y completamente este manual instrucciones. Guarde el manual de instrucciones para futuras referencias. Todos los avisos y precauciones del manual de instrucciones y de la unidad deberán seguirse estrictamente, así como las sugerencias de seguridad indicadas a continuación.

### Instalación

- 1 Agua y humedad** — No utilice esta unidad cerca del agua, como al lado de una bañera, un lavabo, una piscina, etc.
- 2 Calor** — No utilice esta unidad cerca de fuentes térmicas, como salidas de calefacción, estufas, ni demás aparatos que generen calor.  
Tampoco deberá someterse a temperaturas inferiores a 5°C (41°F) ni superiores a 35°C (95°F).
- 3 Superficie de montaje** — Coloque la unidad sobre una superficie plana y nivelada.
- 4 Ventilación** — La unidad deberá colocarse donde tenga espacio suficiente a su alrededor para asegurar su ventilación adecuada. Deje un espacio libre de 10 cm en la parte posterior y superior de la unidad, y de 5 cm a cada lado.
  - No la coloque sobre una cama, una alfombra, ni nada similar que pueda bloquear las aberturas de ventilación.
  - No la instale en una librería, un armario, ni un bastidor cerrado, donde la ventilación podría ser deficiente.
- 5 Entrada de objetos y líquidos** — Tenga cuidado de que en el interior de la unidad no entren objetos pequeños ni líquidos a través de las aberturas de ventilación.
- 6 Carritos y estantes** — Cuando haya colocado o montado la unidad sobre un estante o un carrito, deberá moverla con cuidado. Las paradas repentinas, la fuerza excesiva, o las superficies desiguales podrían causar el vuelco o la caída de la combinación de la unidad y el carrito.
- 7 Montaje en una pared o en el techo** — La unidad no deberá montarse en una pared ni en el techo, a menos que se especifique en el manual de instrucciones.



### Energía eléctrica

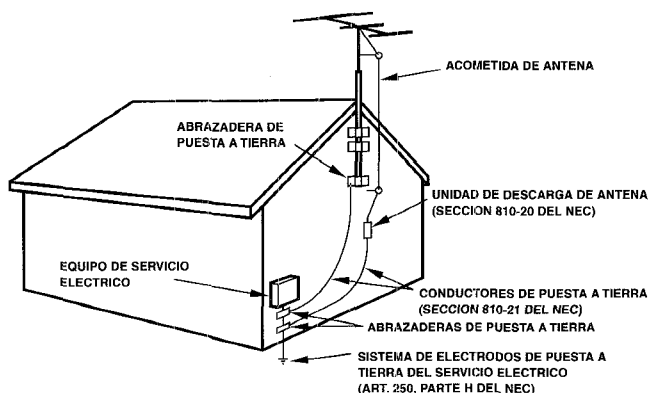
- 1 Fuentes de alimentación** — Conecte esta unidad solamente a las fuentes de alimentación especificadas en las instrucciones de manejo, y como está marcado en la unidad.
- 2 Polarización** — Como medida de seguridad, algunas unidades disponen de enchufes de alimentación de CA polarizados que solamente podrán insertarse de una forma en el tomacorriente de la red. Si es difícil o imposible insertar el enchufe de alimentación de CA en un tomacorriente de la red, dele la vuelta e inténtelo de nuevo. Si sigue sin poder insertarse bien, llame a un técnico de servicio cualificado para que reemplace el tomacorriente. Para evitar anular la función de seguridad del enchufe polarizado, no lo inserte a la fuerza en un tomacorriente.
- 3 Cable de alimentación de CA**
  - Para desconectar el cable de alimentación, tire del enchufe de CA. No tire del propio cable.
  - No tome nunca el cable de alimentación de CA con las manos húmedas, ya que esto podría resultar en incendios o descargas eléctricas.
  - No pise el cable de alimentación ni lo pille con objetos colocados encima o contra él, ya que podrían producirse incendios o descargas eléctricas.
  - Evite sobrecargar los tomacorrientes y los cables prolongadores por encima de su capacidad, ya que esto podría resultar en incendios o descargas eléctricas.

- 4 Cable prolongador** — Para evitar descargas eléctricas, no utilice el enchufe de alimentación de CA polarizado con un cable prolongador ni tomacorriente a menos que el enchufe pueda insertarse completamente a fin de evitar que sus cuchillas queden al descubierto.
- 5 Períodos sin utilización** — Cuando no vaya a utilizar la unidad durante varios meses, desenchufe el cable de alimentación de CA del tomacorriente de la red. Cuando el cable de alimentación está enchufado, circulará una pequeña corriente por la unidad, incluso aunque la alimentación esté desconectada.

### Antena exterior

- 1 Líneas eléctricas** — Cuando conecte una antena exterior, cerciórese de que esté alejada de las líneas eléctricas.
- 2 Puesta a tierra de la antena exterior** — Cerciórese de que el sistema de antena esté adecuadamente puesto a tierra como medida de protección contra sobretensiones inesperadas o la generación de electrostática. El artículo 810 del código National Electric Code, ANSI/NFPA70 proporciona información sobre la puesta a tierra adecuada del mástil, la estructura de soporte, y la acometida a la unidad de descarga de la antena, así como sobre el tamaño de la unidad de puesta a tierra, la conexión de los terminales de puesta a tierra, y los requisitos de puesta a tierra de los propios terminales.

### Puesta a tierra de la antena de acuerdo con el código National Electric Code



CODIGO ELECTRICO NACIONAL, NEC

### Mantenimiento

Limpie la unidad solamente como se recomienda en el manual de instrucciones.

### Daños que requieren reparación

Haga que la unidad sea revisada por un técnico de servicio cualificado si:

- se ha dañado el cable de alimentación o el enchufe de CA.
- en el interior de la unidad han entrado objetos o líquidos.
- la unidad ha estado expuesta a la lluvia o al agua.
- la unidad parece no funcionar normalmente.
- la unidad presenta un cambio notable en su rendimiento.
- la unidad ha caído, o se ha dañado su caja.

NO INTENTE REPARAR USTED MISMO LA UNIDAD.

# CONEXIONES

## Antes de conectar el cable de alimentación de CA

La tensión nominal de su unidad indicada en el panel posterior de su unidad es de 120 V CA. Compruebe si esta tensión coincide con la de la red local.

## IMPORTANTE

Conecte primero los altavoces, las antenas, y todos los demás equipos externos. Después conecte el cable de alimentación de CA.

## CONEXION DE EQUIPOS

Las clavijas de los cables conectores y las tomas están codificadas en color de la forma siguiente:

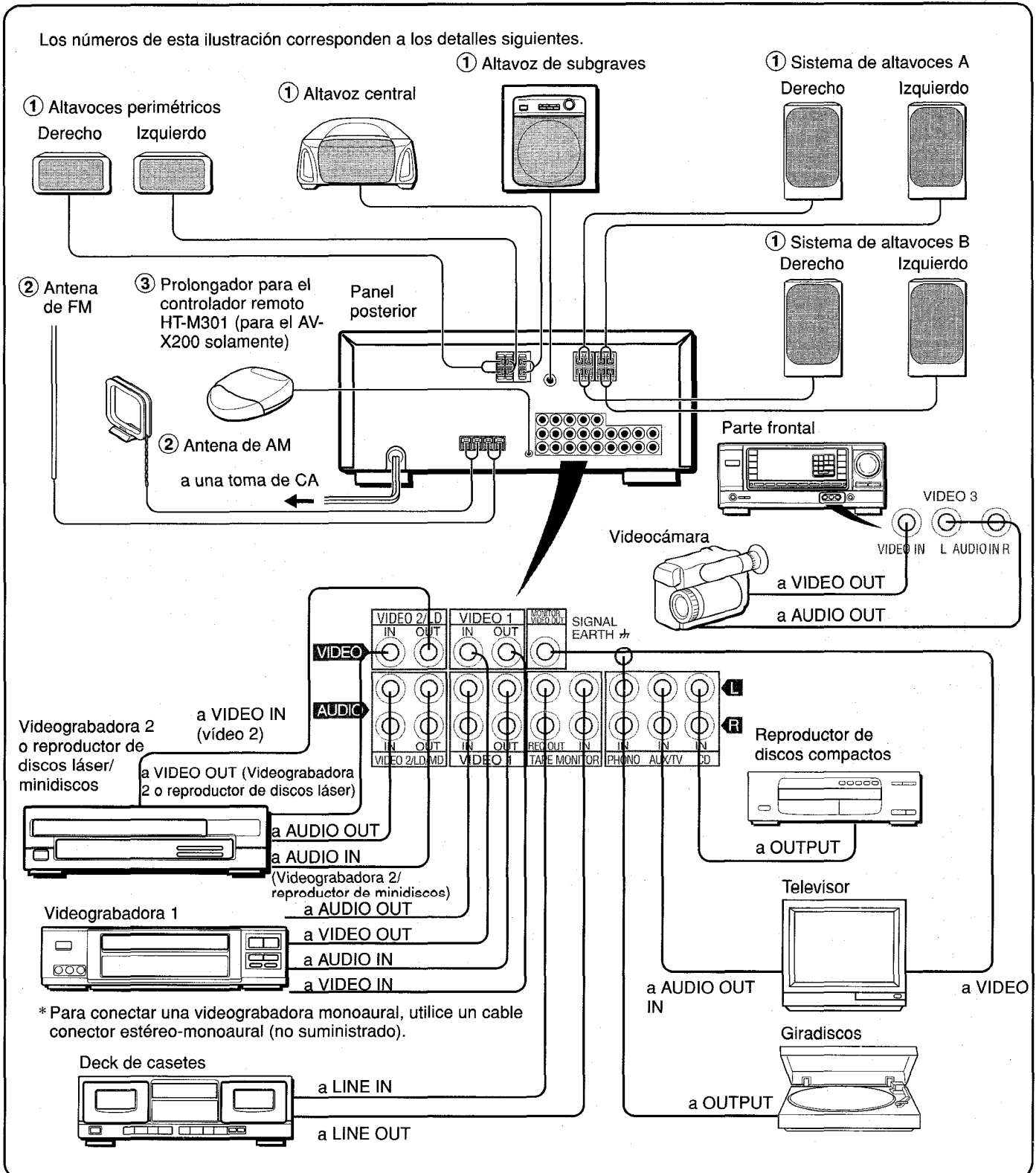
Clavijas y tomas rojas: Para el canal derecho de señales de audio

Clavijas y tomas blancas: Para el canal izquierdo de señales de audio

Clavijas y tomas amarillas: Para señales de vídeo

## NOTA

Inserte las clavijas de los cables conectores firmemente en las tomas. Las conexiones flojas podrían producir zumbidos u otras interferencias de ruido.



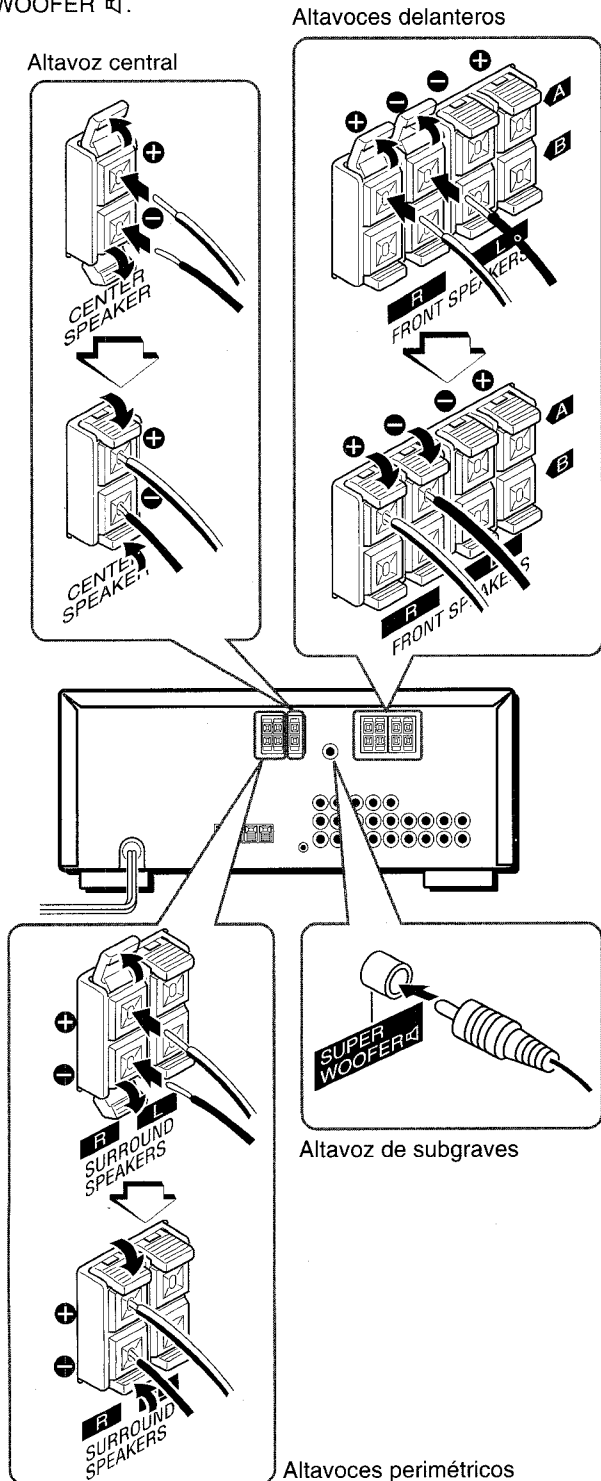
\* Para conectar una videogradora monoaural, utilice un cable conector estéreo-monoaural (no suministrado).

## CONEXION DE LOS ALTAVOCES ①

Conecte altavoces delanteros (sistemas A y B), un altavoz central, y altavoces perimétricos a la unidad.

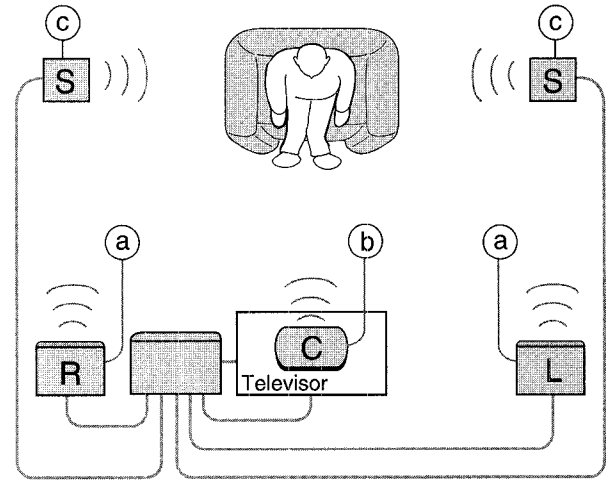
Conecte los cables de los altavoces delanteros a los terminales FRONT SPEAKERS, el cable del altavoz central a los terminales CENTER SPEAKER, y los cables de los altavoces perimétricos a los terminales SURROUND SPEAKERS.

Para obtener graves más potentes, conecte un altavoz de subgraves con altavoz incorporado a la toma SUPER WOOFER.



## UBICACION DE LOS ALTAVOCES

Coloque los altavoces de forma que obtenga el máximo efecto del sistema Dolby Pro Logic o del procesador de señal digital (DSP) (consulte "DOLBY PRO LOGIC").



**a) Altavoces delanteros**

**b) Altavoz central**

Colóquelo en el centro de los dos altavoces delanteros. Además, si ha conectado un televisor a la unidad, coloque el altavoz sobre o debajo del mismo.

**c) Altavoces perimétricos**

Colóquelos directamente a los lados del área de escucha o ligeramente detrás de ella. Alinéelos horizontalmente, a aproximadamente 1 metro sobre la altura de los oídos.

### NOTA

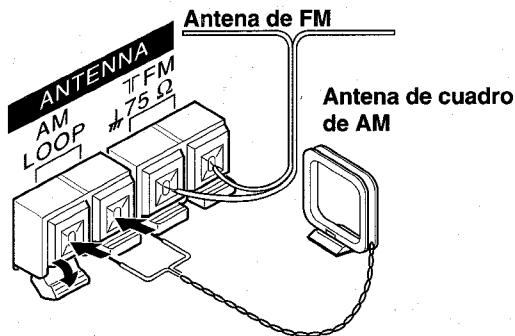
- Si desactiva el sistema Dolby Pro Logic y el procesador de señal digital, no oírás sonido a través del altavoz central ni de los altavoces perimétricos.
- A través del sonido central solamente se oírás sonido cuando el sistema Dolby Pro Logic esté activado.

### NOTA

- Cerciérese de conectar correctamente los cables de los altavoces. La conexión inapropiada podría causar cortocircuitos en los terminales SPEAKER(S).
- Cerciérese de utilizar altavoces con la impedancia especificada.
- No coloque objetos que generen magnetismo cerca de los altavoces.
- Cuando utilice un altavoz de subgraves, seleccione el sistema de altavoces A (consulte la página 6). De lo contrario, no saldrá sonido a través de él.

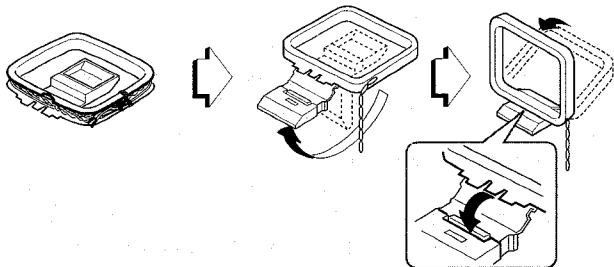
## CONEXION DE LAS ANTENAS SUMINISTRADAS ②

Conecte la antena de FM a los terminales FM 75 Ω y la antena de AM a los terminales AM LOOP.



**Para colocar la antena de cuadro de AM sobre una superficie**

Fije la uña en la ranura como se muestra en la ilustración.



### Ubicación de las antenas

#### Antena en T de FM:

Extienda horizontalmente esta antena en forma de T y fije sus extremos a una pared.

#### Antena de cuadro de AM:

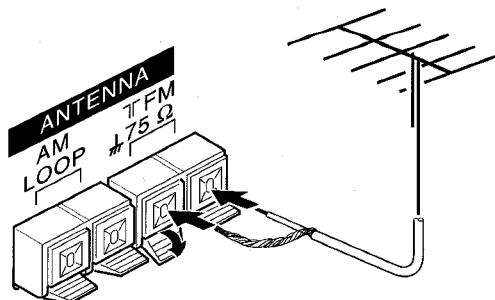
Colóquela con la orientación óptima.

### NOTA

- No acerque la antena de FM a objetos metálicos ni a rieles de cortinas.
- No acerque la antena de AM a otros equipos externos, la propia unidad, el cable de alimentación de CA, ni los cables de los altavoces, porque podría captar ruido.
- No desbobine la antena de cuadro de AM.

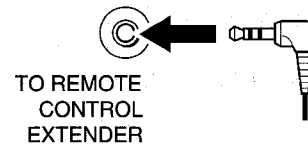
## CONEXION DE UNA ANTENA EXTERIOR

Para mejorar la recepción de FM, se recomienda utilizar una antena exterior. Conecte la antena exterior a los terminales FM 75 Ω.



## CONEXION DEL PROLONGADOR PARA EL CONTROLADOR REMOTO SUMINISTRADO ③ (AV-X200 solamente)

Conecte el prolongador para el controlador remoto HT-M301 en la toma TO REMOTE CONTROL EXTENDER del panel posterior.



### NOTA

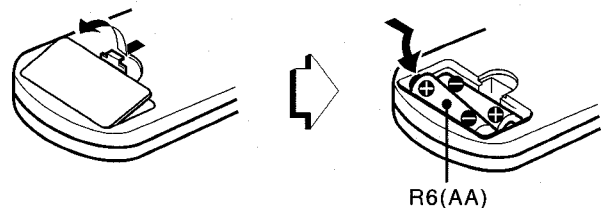
Coloque el prolongador para el controlador remoto suministrado de forma que la línea de visión entre el mismo y el equipo conectado no quede obstruida por un bastidor ni un vidrio opaco.

## CONTROLADOR REMOTO

Este sistema controlador remoto puede memorizar códigos de señal de otros controladores remotos (consulte "MEMORIZACION DE CODIGOS DE SEÑAL"), y permite controlar equipos externos a través del prolongador para el controlador remoto suministrado (AV-X200 solamente).

### Inserción de las pilas

Quite la tapa del compartimento de las pilas de la parte posterior del controlador remoto e inserte dos pilas R6 (AA).



### Cuándo reemplazar las pilas

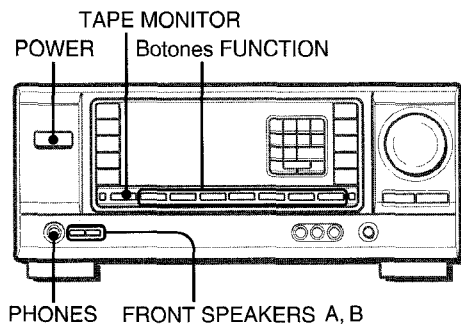
La distancia máxima de operación entre el controlador remoto y el sensor de la unidad deberá ser de aproximadamente 5 metros. Cuando esta distancia se reduzca, reemplace las pilas por otras nuevas.

### NOTA

- Cuando no vaya a utilizar la unidad durante mucho tiempo, extráigale las pilas para evitar la posible fuga de su electrólito.
- Es posible que el controlador remoto no funcione correctamente cuando:
  - La línea de visión entre el controlador remoto y el sensor de control remoto del interior del visualizador esté expuesta a una luz intensa como, por ejemplo, la luz solar directa.
  - Estén utilizándose cerca otros controladores remotos (de un televisor, etc.).



## ANTES DE LA OPERACION



### Para conectar la alimentación de la unidad

Presione uno de los botones FUNCTION (TUNER, PHONO, AUX/TV, CD, VIDEO 1, VIDEO 2, VIDEO 3) o el botón TAPE MONITOR. Cuando presione el botón TUNER, se recibirá la emisora previamente sintonizada (función de reproducción directa).

También podrá utilizarse el botón POWER.

### NOTA

Cuando conecte la alimentación de la unidad:

- Gire el control VOLUME hasta MIN. De lo contrario podrían dañarse los altavoces
- La operación será imposible durante cuatro segundos

### Para cambiar un nombre de fuente del visualizador

Con la alimentación conectada, presione el botón POWER manteniendo pulsado el botón AUX/TV o VIDEO 2.

Repita el procedimiento para seleccionar uno de los nombres siguientes:

AUX o TV: Para el botón AUX/TV

VIDEO 2, LD, o MD: Para el botón VIDEO 2

### Selección del sistema de altavoces delanteros

Para utilizar el sistema de altavoces A: Presione el botón FRONT SPEAKERS A.

Para utilizar el sistema de altavoces B: Presione el botón FRONT SPEAKERS B.

Para utilizar ambos sistemas de altavoces: Presione los dos botones.

Para desactivar el (los) sistema(s) de altavoces, vuelva a presionar el (los) botón (botones).

### NOTA

Como los sistemas de altavoces delanteros A y B están conectados en serie:

- El sonido se reducirá ligeramente cuando utilice ambos sistemas de altavoces.
- No se oirá sonido si presiona los botones FRONT SPEAKERS A y B cuando solamente haya conectado un sistema de altavoces.

### Utilización de auriculares

Conecte los auriculares con clavija estéreo estándar (6,3 mm de diá.) en la toma PHONES.

Cerciérese de que los botones FRONT SPEAKERS A y B no estén presionados.

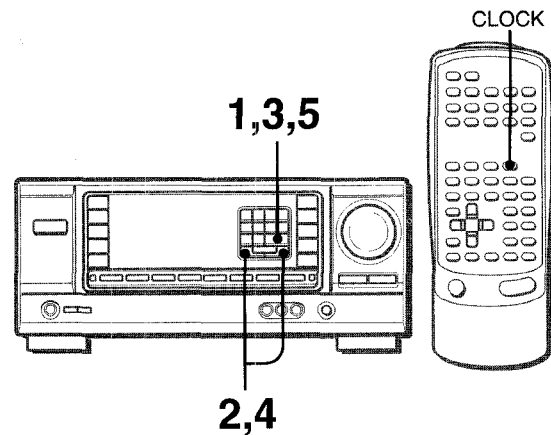
### NOTA

Cuando utilice auriculares, desactive el sistema Dolby Pro Logic y el procesador de señal digital.

### Después de haber utilizado la unidad

Presione el botón POWER para desconectar su alimentación. La visualización cambiará a la del reloj.

## PUESTA EN HORA DEL RELOJ

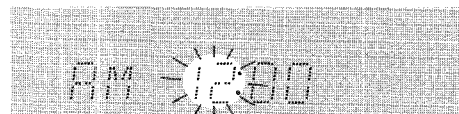


Cuando conecte por primera vez el cable de alimentación de CA, la indicación del reloj parpadeará.

**Ajuste la hora de la forma siguiente con la alimentación desconectada.**

### 1 Presione el botón SET.

La hora parpadeará.



### 2 Presione el botón DOWN▼ o UP▲ para designar la hora.

### 3 Presione el botón SET para introducir la hora.

La hora dejará de parpadear y comenzarán a hacerlo los minutos.

### 4 Presione el botón DOWN▼ o UP▲ para designar los minutos.

### 5 Presione el botón SET para introducir los minutos y finalizar el ajuste.

Los minutos dejarán de parpadear y el reloj comenzará a funcionar a partir de 00 segundos.

### Para corregir la hora actual

Presione el botón POWER para desconectar la alimentación de la unidad. Presione el botón SET y realice los pasos 1 a 5 anteriores.

### Para hacer que se visualice la hora actual

Presione el botón CLOCK del controlador remoto. El reloj se visualizará durante 4 segundos.

### Para cambiar al modo de 24 horas

Presione el botón POWER manteniendo pulsado el botón UP▲ o DOWN▼.

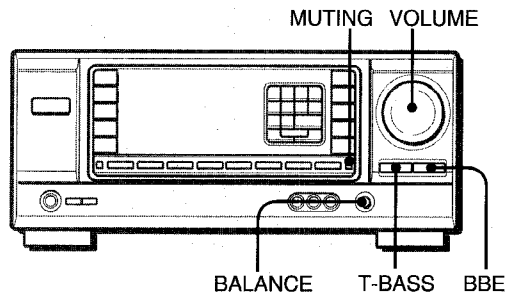
Para volver al modo de 12 horas, repita el mismo procedimiento.

### Si la indicación del reloj parpadea mientras la alimentación está desconectada

Esto se deberá a una interrupción del suministro eléctrico. Usted tendrá que volver a poner en hora el reloj.

Si el suministro eléctrico se interrumpe durante más de 24 horas, todos los ajustes almacenados en la memoria después de haber adquirido la unidad tendrán que volver a memorizarse.

# AJUSTE DEL SONIDO A SU GUSTO



## CONTROL DEL VOLUMEN

Gire el control VOLUME de la unidad o presione los botones VOLUME del controlador remoto.

### Para ajustar el equilibrio entre los canales izquierdo y derecho

Gire el control BALANCE.

### Para silenciar temporalmente el sonido

Presione el botón MUTING.

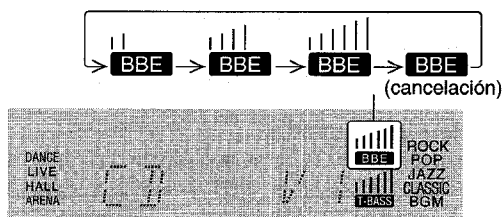
En el visualizador aparecerá "MUTE ON" durante cuatro segundos. Mientras el sonido esté silenciado, el botón FUNCTION seleccionado parpadeará. Para restablecer el sonido, vuelva a presionar el botón.

## SISTEMA BBE

El sistema BBE realiza la claridad del sonido de alta frecuencia.

### Presione el botón BBE.

Cada vez que presione el botón, el nivel cambiará. Seleccione a su gusto uno de los tres niveles o la posición de cancelación.



**NOTA**

El sistema BBE se cancelará automáticamente cuando active el sistema DOLBY PRO LOGIC.

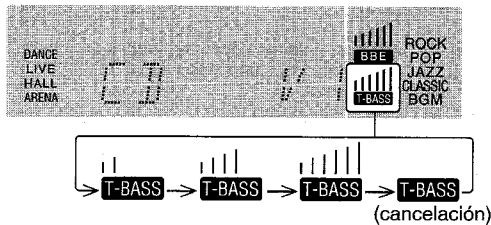
## SISTEMA SUPER T-BASS

El sistema T-BASS realiza el realismo del sonido de baja frecuencia.

### Presione el botón T-BASS.

Cada vez que presione el botón, el nivel cambiará.

Seleccione a su gusto uno de los tres niveles o la posición de cancelación



**NOTA**

El sonido de baja frecuencia puede distorsionarse cuando utilice el sistema T-BASS con un disco o un cassette cuyo sonido de baja frecuencia haya sido acentuado originalmente. En este caso, cancele el sistema T-BASS.

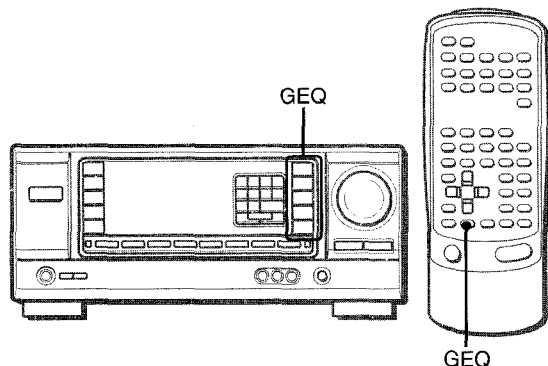
## AJUSTE DEL SONIDO DURANTE LA GRABACION

El volumen y el tono de salida (excepto BBE) de los altavoces o de los auriculares podrán variarse libremente sin que se vea afectado el nivel de grabación.

### Grabación con el sistema BBE

Cuando grabe en un deck a través de las tomas REC OUT, podrá grabar la fuente deseada con la función BBE para reforzar la claridad del sonido de alta frecuencia. Para reproducir una cinta grabada con el sistema BBE, se recomienda cancelar tal sistema.

## ECUALIZADOR GRAFICO ELECTRONICO



Esta unidad dispone de los cinco modos de ecualización siguientes.

**ROCK:** Acentúa el sonido de graves y agudos.

**POP:** Ofrece más presencia a las voces y a la gama media.

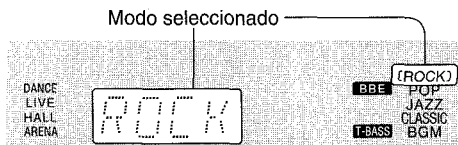
**JAZZ:** Acentúa las frecuencias bajas para música de tipo jazz.

**CLASSIC:** Ofrece sonido rico con graves profundos y agudos delicados.

**BGM:** Ofrece tono calmado con graves y agudos suprimidos.

**Presione uno de los botones GEQ (ecualizador gráfico).**

El nombre del modo seleccionado aparecerá en el visualizador durante dos segundos, y en se encerrará entre paréntesis en la parte derecha del visualizador.



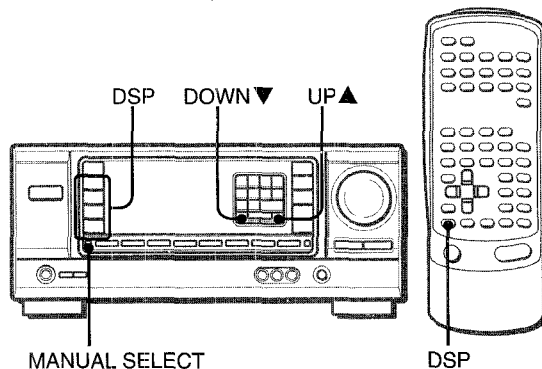
### Para cancelar el modo seleccionado

Vuelva a presionar el botón seleccionado. En el visualizador aparecerá "GEQ OFF".

### Para seleccionar con el controlador remoto

Presione repetidamente el botón GEQ hasta que se visualice el modo de ecualización deseado.

## SONIDO PERIMETRICO DEL PROCESADOR DE SEÑAL DIGITAL



Los circuitos de sonido perimétrico del procesador de señal digital (DSP) pueden recrear el efecto de sonidos reflejados en paredes o techos, para ofrecer la presencia de sonido de ambientes reales. Existen cuatro modos correspondientes a los modos de ecualización gráfica. Los modos de ecualización se seleccionarán automáticamente, y también podrá seleccionar o desactivarlos a su gusto.

### Presione uno de los botones DSP (procesador de señal digital) (DANCE, LIVE, HALL o ARENA)

El nombre del modo seleccionado aparecerá en el visualizador durante dos segundos, y en se encerrará entre paréntesis en la parte izquierda del visualizador.



### Cuando la fuente de música sea monoaural

Seleccione LIVE para obtener un efecto estéreo simulado. Si selecciona DANCE, HALL o ARENA, no oirá sonido a través de los altavoces perimétricos.

### Para cancelar el modo seleccionado

Vuelva a presionar el botón seleccionado. En el visualizador aparecerá "DSP-OFF". Cuando desactive el sistema de sonido perimétrico del DSP, no oirá sonido a través de los altavoces perimétricos.

### Para seleccionar con el controlador remoto

Presione repetidamente el botón DSP hasta que se visualice el modo de ecualización deseado.

### Para ajustar el volumen de los altavoces perimétricos

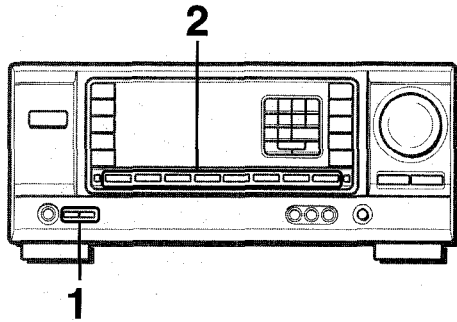
Presione una vez el botón MANUAL SELECT. En el visualizador aparecerá "SUR" durante cuatro segundos. Presione el botón UP▲ o DOWN▼ mientras esté visualizándose "SUR".

Tenga en cuenta que también cambiará el nivel de los altavoces perimétricos Dolby Pro Logic (consulte la página 13).

### NOTA

Cuando active el sistema DOLBY PRO LOGIC, se cancelará automáticamente el sistema del DSP.

## SELECCION DE UNA FUENTE DE AUDIO/VIDEO



- 1 Seleccione el sistema de altavoces con los botones FRONT SPEAKERS A y B.**  
Presione uno de los botones FRONT SPEAKERS.
- 2 Seleccione la fuente de programas.**  
Presione uno de los botones FUNCTION o el botón TAPE MONITOR.

Para escuchar o contemplar	Botón presionado
Cintas	TAPE MONITOR
La radio	TUNER
Discos analógicos	PHONO
Televisión, etc.	AUX/TV
Discos compactos	CD
Videocintas (discos láser o minidiscos)	VIDEO 1, VIDEO 2 (LD/MD), VIDEO 3

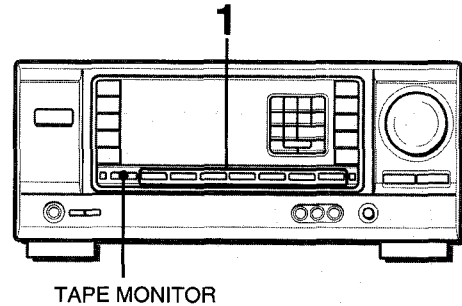
- 3 Ponga en reproducción la fuente de programas seleccionada.**
- 4 Ajuste el sonido.**

**Sobre la señal de vídeo para el monitor o el televisor**



La señal de vídeo seleccionada de salida a través de la toma MONITOR VIDEO OUT se indica en el visualizador.

## GRABACION DE UNA FUENTE DE AUDIO



- 1 Seleccione la fuente de programas que desee grabar.**  
Presione uno de los botones FUNCTION.
- 2 Ponga el deck de cassetes o el grabador de minidiscos en el modo de grabación.**
- 3 Ponga en reproducción la fuente de programas seleccionada.**

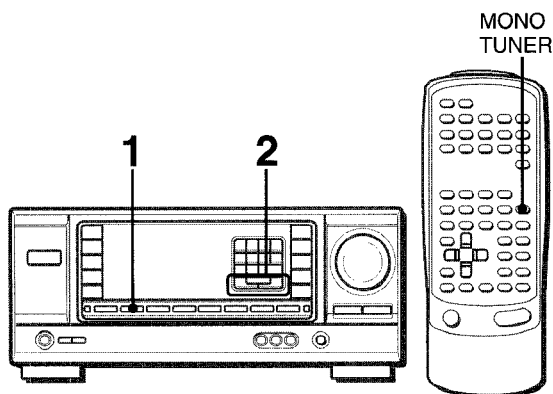
**Para escuchar el sonido grabado durante la grabación (cuando el deck de cassetes conectado posee un sistema de tres cabezas)**

Presione el botón TAPE MONITOR. En el visualizador aparecerá "TAPE ON" durante cuatro segundos, y después volverá a aparecer el nombre de la fuente seleccionada en el paso 1. Para cancelar la escucha, vuelva a presionar el botón para que aparezca "TAPE OFF".

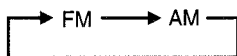
### NOTA

- La grabación no se verá afectada por ningún control del sonido sin el sistema BBE (consulte la página 7).
- Si el deck de cassetes no posee sistema de tres cabezas, no podrá escucharse el sonido que esté grabándose.

## SINTONIA MANUAL



1 Presione repetidamente el botón TUNER para seleccionar la banda deseada.



Si la alimentación está desconectada, se recibirá la emisora previamente sintonizada (función de reproducción directa).

2 Presione el botón UP▲ o DOWN▼ para seleccionar una emisora.

Cada vez que presione el botón, la frecuencia cambiará. Cuando se reciba una emisora, se visualizará "TUNE" durante dos segundos. Durante la recepción de FM estéreo, se visualizará ((Ⓜ)).



**Para buscar rápidamente una emisora (búsqueda automática)**

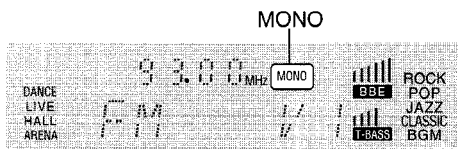
Mantenga presionado el botón UP▲ o DOWN▼ hasta que el sintonizador comience a buscar una emisora. Después de haberse sintonizado una emisora, la búsqueda se parará. Para parar manualmente la búsqueda automática, presione el botón UP▲ o DOWN▼.

• La búsqueda automática es posible que no se pare en emisoras de señal muy débil.

**Cuando un programa de radiodifusión de FM estéreo contenga ruido**

Presione el botón MONO TUNER del controlador remoto para que en el visualizador aparezca "MONO".

El ruido se reducirá, pero la recepción será monoaural.



Para restablecer la recepción estéreo, presione el botón para que desaparezca MONO.

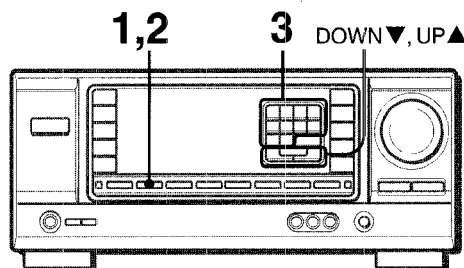
**Para cambiar el intervalo de sintonía de AM**

El ajuste inicial del intervalo de sintonía de AM es de 10 kHz/paso. Para utilizar esta unidad donde el sistema de asignación de frecuencias sea de 9 kHz/paso, cambie el intervalo de sintonía.

Mantenga presionado el botón TUNER y presione inmediatamente el botón POWER. Tenga en cuenta que si mantiene presionado el botón TUNER durante unos dos segundos, la unidad entrará en el modo de sintonía directa.

Para volver al intervalo anterior, repita este procedimiento.

## SINTONIA DIRECTA



Cuando conozca la frecuencia de la emisora deseada, podrá sintonizarla directamente.

1 Presione el botón TUNER para seleccionar una banda.

2 Mantenga presionado el botón TUNER hasta que en el visualizador parpadee " \_ " (modo de sintonía directa).



3 Presione los botones numéricos apropiados para sintonizar la emisora deseada.

Ejemplo:

Para sintonizar 106,50 MHz, presione los botones 1, 0, 6, 5, y 0.

Para sintonizar 95,25 MHz, presione los botones 9, 5, 2, y 5.

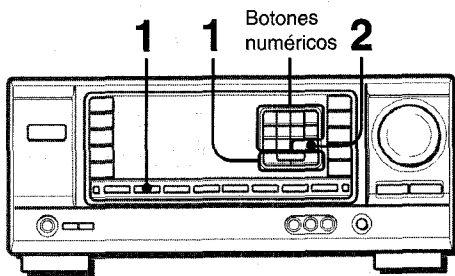
**Para cancelar el modo de sintonía directa**

Presione el botón UP▲ o DOWN▼.

**NOTA**

- Si introduce una frecuencia fuera de la gama de sintonía, ésta parpadeará durante dos segundos y después desaparecerá. Compruebe la frecuencia y repita correctamente el paso 3.
- Si introduce una frecuencia no cubierta por el intervalo de sintonía, ésta se redondeará automáticamente por defecto o exceso a la más cercana cubierta por el intervalo de sintonía.

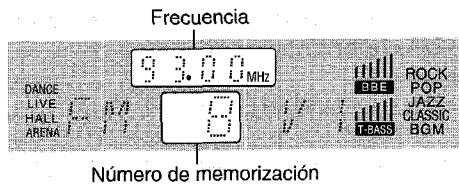
# MEMORIZACION DE EMISORAS



La unidad podrá almacenar un total de 32 emisoras. Cuando almacene una emisora, se le asignará un número de memorización. Utilice el número de memorización para sintonizar directamente la emisora almacenada.

**1 Presione el botón TUNER para seleccionar la banda, y presione el botón UP▲ o DOWN▼ para seleccionar la emisora. Usted también podrá utilizar la sintonía directa.**

**2 Presione el botón SET para almacenar le emisora.** A las emisoras se les asignará un número de memorización en orden consecutivo comenzando por 1 para cada banda.



**3 Repita los pasos 1 y 2.**

La emisora siguiente no se almacenará si ya ha almacenado un total de 32 emisoras para todas las bandas.

## NOTA

Cuando cambie el intervalo de sintonía de AM, se borrarán todas las emisoras memorizadas. En este caso tendrá que volver a memorizar las emisoras.

## SINTONIA DE EMISORAS POR SU NUMERO DE MEMORIZACION

**1 Presione el botón TUNER para seleccionar una banda.**

**2 Presione los botones numéricos para introducir el número de memorización.**

Ejemplo:

Para introducir el número de memorización 25, presione 2 y 5.

Para introducir el número de memorización 7, presione 0 y 7.

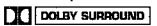
### Para borrar una emisora memorizada

Introduzca el número de memorización de la emisora que desee borrar. Después presione el botón SET, y antes de cuatro segundos vuelva a presionar el botón SET.

Los números de memorización de todas las demás emisoras de la banda de número superior se reducirán una unidad.

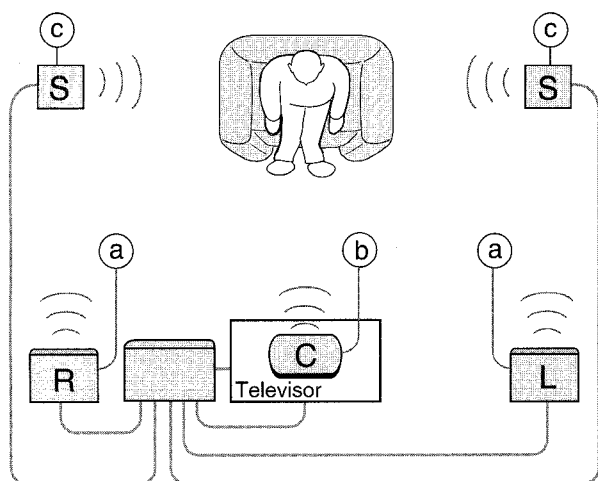
La función Dolby Pro Logic y los altavoces central y perimétricos (estándar) aseguran sonido de teatro a plena para el hogar. Cuando reproduzca discos láser o software de vídeo especialmente grabados con sonido de cuatro canales (izquierdo, derecho, central, y perimétricos) y lógica de dirección (para dirigir el sonido), un sonido sorprendentemente realista rodeará al oyente para crear un nuevo nivel de entretenimiento audiovisual. El control independiente de los cuatro canales permitirá al oyente disfrutar del mismo tipo de reproducción de sonido que el experimentado en salas de cine. Las voces se reproducirán en el campo acústico delantero y central, mientras que los sonidos ambientales como el de automóviles o multitudes se reproducirá por todos los lados del oyente y le ofrecen una experiencia audiovisual increíblemente realista. Lea cuidadosamente lo siguiente para "sintonizar" la salida del sistema de acuerdo con las características de su espacio de escucha.

**Compruebe lo siguiente:**

- Antes de utilizar DOLBY PRO LOGIC, ajuste el equilibrio apropiado de los niveles de sonido de los altavoces (consulte la página 13).
- Cerciórese de que los altavoces estén adecuadamente conectados y ubicados (consulte las páginas 3 y 4).
- Cerciórese de que el televisor y la unidad de vídeo estén adecuadamente conectados (consulte la página 3).
- Cerciórese de que el disco láser, la videocinta, etc., sean del sistema .

## SELECCION DE DOLBY PRO LOGIC

El modo Dolby Pro Logic óptimo dependerá del tipo y la ubicación de los altavoces. Se recomienda utilizar altavoces Aiwa opcionales para todos los canales, SX-R260 para los altavoces perimétricos, SX-C500 para el altavoz central, y SX-AV500 para los altavoces delanteros. Compruebe el tipo y la ubicación de sus altavoces y seleccione el modo Dolby Pro Logic recomendado correspondiente.



- (a) Altavoces delanteros
- (b) Altavoz central
- (c) Altavoces perimétricos

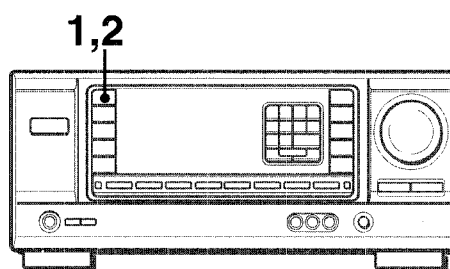
**Modo recomendado**

	Altavoz central		
	Más grande	Más pequeño	Sin altavoz
Altavoces perimétricos (altavoces traseros)	DOLBY PRO LOGIC-WIDE	DOLBY PRO LOGIC-NORMAL	PHANTOM
Sin altavoces perimétricos	3CH LOGIC-WIDE	3CH LOGIC-NORMAL	-

**Modo PHANTOM:** Seleccione este modo cuando no haya conectado un altavoz central. Todas las señales del canal central se redistribuirán a los altavoces de los canales izquierdo y derecho.

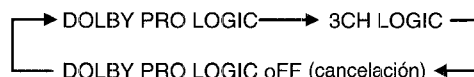
**Modo 3CH LOGIC:** Seleccione este modo cuando no haya conectado altavoces perimétricos.

## PARA SELECCIONAR UN MODO DOLBY PRO LOGIC



**1 Presione repetidamente el botón DOLBY PRO LOGIC para seleccionar el modo apropiado.**

Cuando seleccione el modo DOLBY PRO LOGIC o 3CH LOGIC, se encenderá el indicador, y en el visualizador se desplazará el nombre del modo seleccionado. Cada vez que presione el botón, el modo cambiará como se indica a continuación.

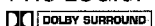


**2 Mantenga presionado el botón DOLBY PRO LOGIC hasta que aparezca el modo de altavoz central deseado.**

**Cuando haya seleccionado el modo DOLBY PRO LOGIC en el paso 1:**  
Aparecerán "NORMAL", "WIDE", y "PHANTOM", uno tras otro.

**Cuando haya seleccionado 3CH LOGIC en el paso 1:**  
Aparecerán "NORMAL" y "WIDE", uno tras otro.

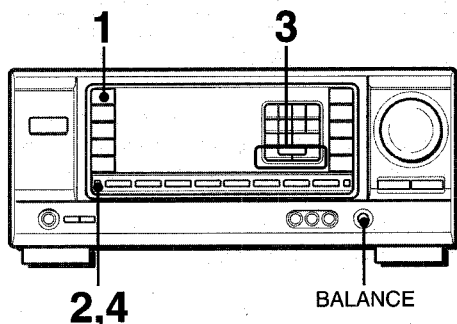
**NOTA**

- Dependiendo de la fuente de sonido o de las condiciones de escucha, es posible que no obtenga efecto perimétrico incluso aunque haya activado DOLBY PRO LOGIC.
- Si utiliza software sin la marca , es posible que no obtenga el efecto DOLBY PRO LOGIC completo. En este caso, utilice en su lugar el sistema DSP (consulte la página 8).
- El sistema DOLBY PRO LOGIC se cancelará automáticamente cuando active el sistema BBE o DSP.

ESCUCHA DE LA RADIO DOLBY PRO LOGIC

E

# AJUSTE DEL EQUILIBRIO DEL NIVEL ENTRE ALTAVOCES



Esta unidad dispone de un generador de señal de prueba incorporado denominado secuenciador de ruido para facilitar el ajuste del equilibrio de los cuatro canales.

El secuenciador da salida a una señal de ruido que "viaja" de canal a canal para permitir el ajuste sencillo del nivel del sonido a fin de obtener la misma sonoridad aparente desde cada canal en su posición de escucha.

## 1 Seleccione el modo Dolby Pro Logic de acuerdo con el tipo y la ubicación de sus altavoces.

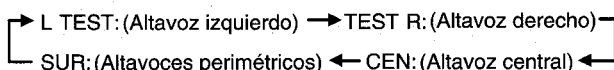
(Consulte la página 12.)

## 2 Mantenga presionado el botón MANUAL SELECT durante unos dos segundos hasta que aparezca "L TEST".

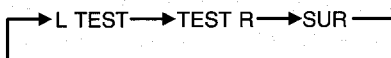


A cada canal se enviará una señal de ruido de la forma siguiente:

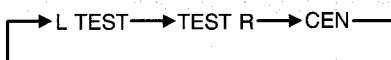
### Modo DOLBY PRO LOGIC NORMAL o WIDE



### Modo DOLBY PRO LOGIC PHANTOM

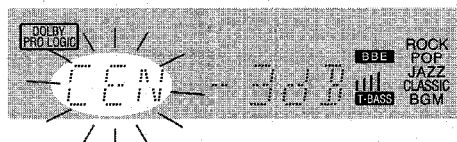


### Modo 3CH LOGIC NORMAL o WIDE



## 3 Ajuste el nivel del sonido de los altavoces central y (o) perimétricos.

Mientras esté visualizándose "CEN" o "SUR", presione el botón UP▲ o DOWN▼ para ajustar el volumen de los altavoces central o perimétricos de acuerdo con el nivel de los altavoces izquierdo y derecho.



Para ajustar el equilibrio entre los altavoces izquierdo y derecho, utilice el control BALANCE mientras esté visualizándose "L TEST" o "TEST R".

## 4 Para parar la señal de ruido, vuelva a presionar el botón MANUAL SELECT.

### NOTA

Si cambia el volumen de los altavoces perimétricos del DSP (consulte la página 8), cambiará también el nivel de los altavoces perimétricos Dolby Pro Logic.

### Información sobre los canales

Los altavoces izquierdo y derecho crean el efecto estéreo.

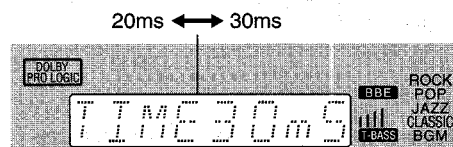
El altavoz central ayuda a ubicar con precisión el sonido en un campo acústico amplio.

Los altavoces perimétricos montados atrás realzan la "profundidad" del campo acústico.

### Para cambiar el tiempo de retardo

Los altavoces perimétricos reproducen sonidos una fracción de segundo después de los altavoces delanteros. Este retardo está ajustado inicialmente a 20 ms (milisegundos).

Para cambiar este tiempo de retardo estándar, presione dos o tres veces el botón MANUAL SELECT para que se visualice "TIME". Después presione el botón UP▲ o DOWN▼. Cada vez que presione uno de los botones, el tiempo de retardo cambiará como se indica a continuación.



### Para cambiar los niveles del sonido después de haber ajustado el equilibrio con el secuenciador de ruido

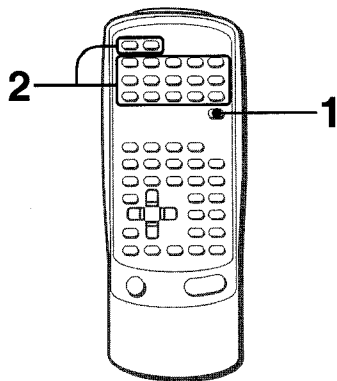
Los niveles de sonido de los altavoces central y perimétricos podrán ajustarse durante la reproducción de discos láser o software de vídeo.

1 Presione una vez o dos el botón MANUAL SELECT para seleccionar "CEN" o "SUR" (central o perimétricos).

2 Mientras esté visualizándose "CEN" o "SUR", presione UP▲ o DOWN▼ para ajustar el volumen.



# MEMORIZACION DE CODIGOS DE SEÑAL (AV-X200 solamente)

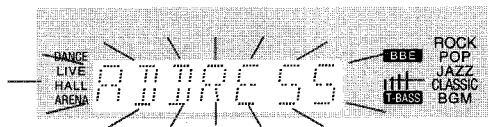


El controlador remoto suministrado le permitirá gobernar el equipo conectado de igual forma que el receptor, almacenando los códigos de señal de tal equipo en el controlador remoto. Cuando utilice este controlador remoto, los códigos de señal almacenados se transmitirán desde el prolongador para el controlador remoto suministrado y se controlará el equipo externo. El controlador remoto podrá almacenar un total de 30 códigos de señal de otros controladores remotos.

Utilice el controlador remoto.

## 1 Presione el botón LEARN.

En el visualizador parpadeará "ADDRESS".



## 2 Presione uno de los botones MEMORY (A-O), y después el botón ADDRESS 1 o 2 para designar el botón en el que desee almacenar el código de señal.

La indicación designada aparecerá en el visualizador.

Ejemplo: Para designar ADDRESS 1 en el botón MEMORY A.



## 3 Apunte con el controlador remoto del equipo conectado hacia la unidad, y presione el botón cuya función desee almacenar.

Cuando se almacene el código de señal aparecerá "LEARN". Si el código de señal no se acepta, es posible que aparezca "ERROR".



Después de dos segundos, la visualización volverá al paso 1.

## 4 Repita los pasos 2 y 3 para almacenar otro código de señal.

**Para parar el almacenamiento**  
Presione el botón LEARN.

### NOTA

- El código de señal del controlador remoto externo puede no recibirse:
  - cuando el código de señal a almacenarse no sea estándar.
  - cuando encienda una lámpara fluorescente cerca del sensor de control remoto del visualizador.
- Algunos códigos de señal como, por ejemplo, los del botón VOLUME UP/DOWN, el botón SEARCH, y el botón SEND para transmisión al programa de grabación con el temporizador, es posible que no se memoricen correctamente. Cuando controle equipos externos con los botones MEMORY y ADDRESS, en los que estén almacenados tales códigos de señal, es posible que las operaciones no se realicen bien.
- Cuando designe un botón en el que ya haya almacenado un código de señal, los datos anteriores se borrarán.

### Para controlar el equipo conectado

Presione uno de los botones MEMORY, y el botón ADDRESS 1 o 2 en el que haya almacenado el código de señal.

### NOTA

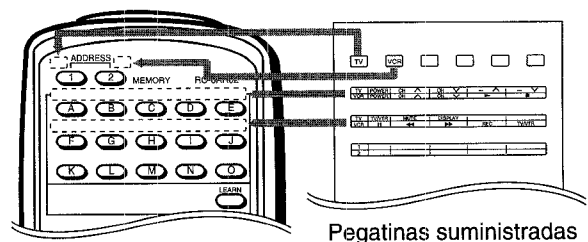
- Coloque el prolongador para el controlador remoto de forma que quede apuntando hacia el equipo externo que desee controlar.
- Como con el AV-X100 no se suministra prolongador para el controlador remoto, esta función no estará disponible.

### Utilización de las pegatinas suministradas

Pegue las pegatinas suministradas en el controlador remoto para identificar los botones y las direcciones de almacenamiento de los códigos de señal del mismo.

Se recomienda almacenar los códigos de señal en el orden de impresión de las pegatinas. Si las pegatinas no concuerdan con su configuración u operación, utilice las pegatinas en blanco suministradas.

Despegue las pegatinas de la hoja y péguelas en el controlador remoto.

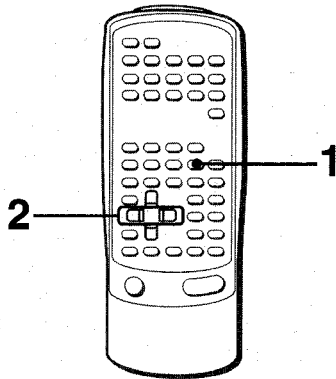


**E**

**DOLBY PRO LOGIC CONTROLADOR REMOTO**

## PROGRAMACION DEL TEMPORIZADOR CRONODESCONECTADOR

## CUIDADOS Y MANTENIMIENTO



El mantenimiento y el cuidado ocasionales de la unidad serán necesarios para sacar el máximo partido de ella.

### Para limpiar el exterior

Utilice un paño suave y seco.

Si la superficie está extremadamente sucia, utilice un paño ligeramente humedecido en una solución poco concentrada de detergente. No utilice disolventes fuertes, como alcohol, bencina, o diluidor de pintura ya que podría dañar el acabado de la unidad.

Usted podrá hacer que la alimentación de la unidad se desconecte automáticamente después del tiempo especificado.

Utilice el controlador remoto.

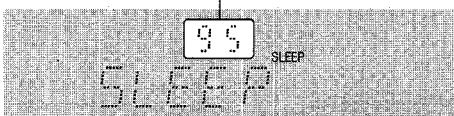
### 1 Presione el botón SLEEP.



### 2 Presione el botón UP▲ o DOWN▼ antes de cuatro segundos para especificar el tiempo hasta que se desconecte la alimentación.

Cada vez que presione el botón, el tiempo cambiará entre 5 y 240 minutos en pasos de 5 minutos.

Tiempo especificado



### Para comprobar el tiempo restante hasta que se desconecte la alimentación

Presione una vez el botón SLEEP. El tiempo restante se visualizará durante cuatro segundos.

### Para cancelar el temporizador cronodesconectador

Presione dos veces el botón SLEEP para que "SLEEP" desaparezca del visualizador.

# ESPECIFICACIONES

## Sección del sintonizador de FM

Gama de sintonía	87,5 a 108 MHz
Sensibilidad útil	13,2 dBf
Terminales de antena	75 ohmios (desequilibrados)

## Sección del sintonizador de AM

Gama de sintonía	530 a 1710 kHz (intervalo de 10 kHz), 531 a 1602 kHz (intervalo de 9 kHz)
Sensibilidad útil	350 $\mu$ V/m
Antena	Antena de cuadro

## Sección del amplificador

Salida de potencia	<b>[Modo estéreo]</b> <b>Altavoces delanteros</b> AV-X200: 120 vatios por canal como mín., valor eficaz, a 8 ohmios, de 40 Hz a 20 kHz, con no más del 0,8% de distorsión armónica total AV-X100: 65 vatios por canal como mín., valor eficaz, a 8 ohmios, de 40 Hz a 20 kHz, con no más del 0,8% de distorsión armónica total
--------------------	---

### **[Modo Dolby Pro Logic]**

#### **Altavoces delanteros**

AV-X200: 100 vatios por canal como mín., valor eficaz, a 8 ohmios, de 40 Hz a 20 kHz, con no más del 0,8% de distorsión armónica total
AV-X100: 60 vatios por canal como mín., valor eficaz, a 8 ohmios, de 40 Hz a 20 kHz, con no más del 0,8% de distorsión armónica total

#### **Altavoces traseros (perimétricos)**

AV-X200: 50 vatios por canal como mín., valor eficaz, a 16 ohmios, 1 kHz, con no más del 0,8% de distorsión armónica total
AV-X100: 10 vatios por canal como mín., valor eficaz, a 16 ohmios, 1 kHz, con no más del 0,8% de distorsión armónica total

#### **Altavoz central**

AV-X200: 100 vatios como mín., valor eficaz, a 8 ohmios, 1 kHz, con no más del 0,8% de distorsión armónica total
AV-X100: 60 vatios, como mín., valor eficaz, a 8 ohmios, 1 kHz, con no más del 0,8% de distorsión armónica total

<b>Distorsión armónica total</b>	AV-X200: 0,07 % (105 W, 1 kHz, 8 ohms, Altavoces delanteros) AV-X100: 0,06 % (40 W, 1 kHz, 8 ohms, Altavoces delanteros)
----------------------------------	---

## Entradas

AUDIO IN
PHONO: 2,8 mV (50 kilohmios)
CD: 300 mV (50 kilohmios)
TAPE MONITOR: 200 mV (25 kilohmios)
VIDEO 1, VIDEO 2/LD/MD, VIDEO 3, AUX/TV: 250 mV (50 kilohmios)
VIDEO IN: 1 Vp-p (75 ohmios)

## Salidas

AUDIO OUT (REC OUT): 200 mV (2 kilohmios)
VIDEO OUT (MONITOR): 1 Vp-p (75 ohmios)
SUPER WOOFER: 3,1 V (AV-X200)/ 2,19 V (AV-X100)
FRONT SPEAKERS IMP: 8 $\Omega$ (altavoces delanteros A y B): Aceptan altavoces de 8 ohmios o más
SURROUND SPEAKERS IMP: 16 $\Omega$ (altavoces perimétricos): Aceptan altavoces de 16 ohmios o más
CENTER SPEAKER IMP: 8 $\Omega$ Acepta un altavoz de 8 ohmios o más
PHONES (toma estéreo): Acepta altavoces de 32 ohmios o más
-20 dB

## Silenciamiento

## Sección general


Alimentación	120 V CA, 60 Hz
Consumo	AV-X200: 135 W AV-X100: 115 W
Dimensiones (AN x AI x Prf)	360 x 153,5 x 330,5 mm (14 <sup>1</sup> / <sub>4</sub> x 6 <sup>1</sup> / <sub>8</sub> x 13 <sup>1</sup> / <sub>8</sub> pulgadas)
Peso	AV-X200: 9,6 kg (21 lb 3 oz.) AV-X100: 8,1 kg (17 lb 13 oz.)

Las especificaciones y el aspecto externo están sujetos a cambio sin previo aviso.

## **BBE** SYSTEM

Las siglas "BBE" y el "símbolo BBE" son marcas comerciales de BBE Sound Inc.  
Con licencia de BBE Sound Inc.

## DOLBY PRO LOGIC

Fabricados con licencia de Dolby Laboratories Licensing Corporation.  
DOLBY y el símbolo de la D doble , y "PRO LOGIC" son marcas de Dolby Laboratories Licensing Corporation.

# GUIA PARA LA SOLUCION DE PROBLEMAS

Si la unidad no funciona como se describe en este Manual de instrucciones, compruebe la guía siguiente.

## SECCION GENERAL

### No hay sonido.

- ¿Está adecuadamente conectado el cable de alimentación de CA?
- ¿Hay alguna conexión incorrecta? (→ página 3)
- Es posible que los terminales de los altavoces estén cortocircuitados.  
→ Desconecte el cable de alimentación de CA y corrija las conexiones de los altavoces.
- ¿Ha presionado un botón de función incorrecto?
- ¿Ha ajustado correctamente los botones FRONT SPEAKERS A y B? (→ página 6)

### El sonido solamente sale a través de un altavoz.

- ¿Está adecuadamente ajustado el control BALANCE?
- ¿Está desconectado el otro altavoz?

### El sonido se oye con un volumen muy bajo.

- ¿Ha presionado el botón MUTING?

### La visualización es errónea o se produjo un mal funcionamiento.

→ Reponga la unidad como se indica más abajo.

## SECCION DEL SINTONIZADOR

### Hay estáticos constantes en forma de onda.

- ¿Está adecuadamente conectada la antena? (→ página 5)
- ¿Es débil la señal?  
→ Conecte una antena exterior.

### La recepción contiene interferencias de ruido o el sonido se oye distorsionado.

- ¿Está el sistema captando ruido externo o distorsión de múltiples trayectorias?  
→ Cambie la orientación de la antena.  
→ Aleje la unidad de otros aparatos eléctricos.

### Reposición

Si hay alguna visualización anormal o se produce un mal funcionamiento, reponga la unidad de la forma siguiente.

- 1 Presione el botón POWER para desconectar la alimentación.
- 2 Presione el botón POWER manteniendo pulsado el botón SET. Todos los ajustes almacenados en la memoria después de haber adquirido la unidad se borrarán.

Si no puede desconectar la alimentación en el paso 1 debido a algún mal funcionamiento, reponga la unidad desconectando el cable de alimentación de CA, y después repita el paso 2.

# INDICE DE LAS PARTES

Las instrucciones sobre cada parte de la unidad o del controlador remoto se indican en las páginas mostradas a continuación.

(en orden alfabético)

Partes	Páginas
ADDRESS	14
AUX/TV	6, 9
BALANCE	7, 13
BBE	7
CD	6, 9
CLOCK	6
DOLBY PRO LOGIC	12
DOWN ▼ (◀)	6, 8, 10, 11, 13, 15
DSP	8
FRONT SPEAKERS A, B	6, 9
GEQ	8
LEARN	14
MANUAL SELECT (TEST)	13
MEMORY	14
MONO TUNER	10
MUTING, MUTE	7
PHONES	6
POWER	6
SET	6, 11
SLEEP	14
TAPE MONITOR	6, 9
T-BASS	7
TUNER, BAND DIRECT	6, 9, 10, 11
UP ▲ (▶)	6, 8, 10, 11, 13, 15
VIDEO 1	6, 9
VIDEO 2, LD/MD	6, 9
VIDEO 3	6, 9
VOLUME	7

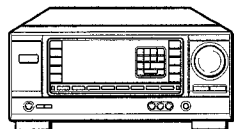


## Bienvenue à l'ampli-tuner stéréo Aiwa

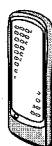
Félicitations pour l'achat de cet ampli-tuner stéréo Aiwa. Pour utiliser de manière optimale ce système, prenez le temps de lire ce mode d'emploi et de vous familiariser avec les différentes opérations.

### Vérifiez votre appareil et les accessoires

Ampli-tuner stéréo AV-X100/AV-X200



Télécommande



Antenne FM



Mode d'emploi, etc.

Expanseur de télécommande HT-M301 (AV-X200 seulement)



Antenne AM



### Relevé du propriétaire

Pour plus de commodité, noter le numéro de modèle et le numéro de série (ces numéros se trouvent au dos de l'appareil) dans les cases ci-dessous. Prière de mentionner ces numéros quand on contacte un distributeur Aiwa en cas de difficulté.

N° de modèle	N° de série (N° de lot)
AV-X100/AV-X200	

## TABLE DES MATIÈRES

### PREPARATIFS

PRECAUTIONS.....	2
RACCORDEMENTS .....	3
AVANT DE COMMENCER .....	6
REGLAGE DE L'HORLOGE .....	6

### SON

REGLAGE PERSONNEL DU SON .....	7
EGALISEUR GRAPHIQUE ELECTRONIQUE.....	8
PROCESSEUR D'AMBIANCE .....	8

### OPERATIONS DE BASE

SELECTION D'UNE SOURCE AUDIO OU VIDEO.....	9
ENREGISTREMENT D'UNE SOURCE AUDIO .....	9

### RECEPTION RADIO

ACCORD MANUEL.....	10
ACCORD DIRECT.....	10
PREREGLAGE DES STATIONS .....	11

### DOLBY PRO LOGIC

SELECTION DU DOLBY PRO LOGIC .....	12
REGLAGE DE LA BALANCE DU NIVEAU DES ENCEINTES .....	13

### TELECOMMANDE

MEMORISATION DE CODES DE TELECOMMANDE ....	14
--	----

### MINUTERIE

REGLAGE DE LA MINUTERIE D'ARRET .....	15
---------------------------------------	----

### GENERALITES

SOIN ET ENTRETIEN .....	15
SPECIFICATIONS .....	16
EN CAS DE PANNE .....	17
NOMENCLATURE .....	17

### AVERTISSEMENT

POUR REDUIRE LE RISQUE DE COURT-CIRCUIT OU DE CHOC ELECTRIQUE, NE PAS EXPOSER CET APPAREIL A LA PLUIE OU A L'HUMIDITE.

	<b>CAUTION</b> RISK OF ELECTRIC SHOCK DO NOT OPEN	
<p>"CAUTION: TO REDUCE THE RISK OF ELECTRIC SHOCK, DO NOT REMOVE COVER (OR BACK). NO USER-SERVICEABLE PARTS INSIDE. REFER SERVICING TO QUALIFIED SERVICE PERSONNEL."</p>		

### Signification des symboles graphiques:



L'éclair portant une flèche, situé dans un triangle équilatéral, sert à prévenir l'utilisateur de la présence d'une "tension dangereuse" non isolée à l'intérieur de l'appareil, assez élevée pour constituer un risque d'électrocution.



Le point d'exclamation situé dans un triangle équilatéral, sert à prévenir l'utilisateur de la présence d'instructions importantes concernant l'utilisation et l'entretien (ou la réparation) de l'appareil dans le manuel qui accompagne ce dernier.

## PRECAUTIONS

Lisez attentivement et complètement le mode d'emploi avant d'utiliser l'ampli-tuner et conservez-le pour toute référence future. Respectez tous les avertissements et consignes mentionnés dans le mode d'emploi, ainsi que les conseils concernant la sécurité.

### Installation

- Eau et humidité** — Ne pas utiliser l'ampli-tuner près d'une baignoire, d'un lavabo, d'une piscine ou de tout autre endroit similaire.
- Chaleur** — Ne pas utiliser l'ampli-tuner près d'une source de chaleur, comme une sortie d'air chaud, un chauffage, ou autre appareil produisant de la chaleur. Il ne doit pas non plus être exposé à des températures inférieures à 5°C (41°F) ou supérieures à 35°C (95°F).
- Installation** — Installez l'ampli-tuner sur une surface plane, de niveau.
- Ventilation** — Laissez un espace suffisant tout autour de l'ampli-tuner pour garantir une bonne ventilation, soit environ 10 cm (4 po.) à l'arrière et au-dessus de l'ampli-tuner et 5 cm (2 po.) sur les deux côtés.
  - Ne pas poser l'ampli-tuner sur un lit, une couverture ou toute autre surface similaire qui pourrait bloquer les orifices de ventilation.
  - Ne pas installer l'ampli-tuner dans une étagère, un placard ou un meuble où la ventilation est insuffisante.
- Objets et liquide** — Veillez à ce qu'aucun objet ni liquide ne pénètre dans les orifices de ventilation de l'ampli-tuner.
- Chariots et supports** — Quand vous installez l'ampli-tuner sur un support ou un chariot, déplacez-les lentement.
 

A cause d'arrêts subits, de mouvements brusques et de surfaces inégales, l'ampli-tuner ou le chariot peuvent être renversés.
- Fixation au mur ou au plafond** — L'ampli-tuner ne doit pas être installé au mur ou au plafond.

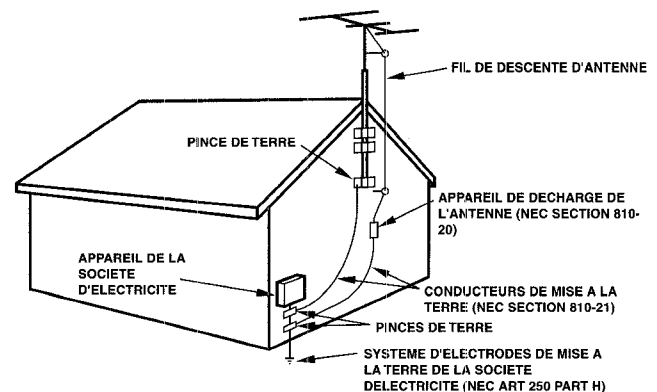


- Cordon de prolongation** — Afin d'éviter tout risque d'électrocution, ne pas utiliser de fiche secteur polarisée avec un cordon de prolongation, douille ou autre type de prise à moins que la fiche polarisée ne soit complètement insérée sans laisser les lames à découvert.
- Quand l'ampli-tuner n'est pas utilisé** — Débranchez l'ampli-tuner de la prise secteur si vous prévoyez de ne pas l'utiliser pendant plusieurs mois. Quand le cordon est branché, une petite quantité d'électricité s'écoule vers même s'il est hors tension.

### Antenne extérieure

- Lignes électriques** — Quand vous raccordez une antenne extérieure, assurez-vous qu'elle est suffisamment éloignée des lignes électriques.
- Prise de terre de l'antenne extérieure** — Assurez-vous que l'antenne est raccordée correctement à la terre par mesure de protection contre les pointes de tension et l'accumulation de charges statiques. L'article 810 du Code Electrique National, ANSI/NFPA70, fournit des informations pour une mise à la terre correcte des mâts et supports, la mise à la terre du fil de connexion à un appareil de décharge, la dimension de l'appareil de décharge, la connexion des électrodes de terre et les exigences que doivent remplir les électrodes de terre.

### Mise à la terre d'une antenne d'après le Code Electrique National



NEC-NATIONAL ELECTRIC CODE (CODE ELECTRIQUE NATIONAL.)

### Entretien

Nettoyez l'ampli-tuner comme indiqué dans le mode d'emploi.

### Réparations exigeant l'intervention d'un professionnel

Faites réparer l'ampli-tuner par un professionnel dans les cas suivants:

- Le cordon ou la prise secteur a été endommagé
  - Des objets ou liquides sont tombés dans l'ampli-tuner
  - L'ampli-tuner a été exposé à la pluie ou à l'eau
  - L'ampli-tuner ne semble pas fonctionner correctement
  - Les performances de l'ampli-tuner ne sont plus les mêmes
  - L'ampli-tuner est tombé ou le coffret a été endommagé
- NE PAS ESSAYER DE REPARER SOI-MEME LE RECEPTEUR.

# RACCORDEMENTS

## Avant de raccorder le cordon secteur

La tension nominale de l'ampli-tuner indiquée sur le panneau arrière est de 120 V. Vérifiez si elle correspond à la tension locale.

## IMPORTANT

Raccordez les enceintes, les antennes et les autres appareils en premier. Raccordez le cordon secteur en dernier.

# RACCORDEMENT DE TOUT L'EQUIPEMENT

Les prises et les fiches des cordons de liaison sont codées couleur de la façon suivante:

Prises et fiches rouges: Canal droit des signaux audio

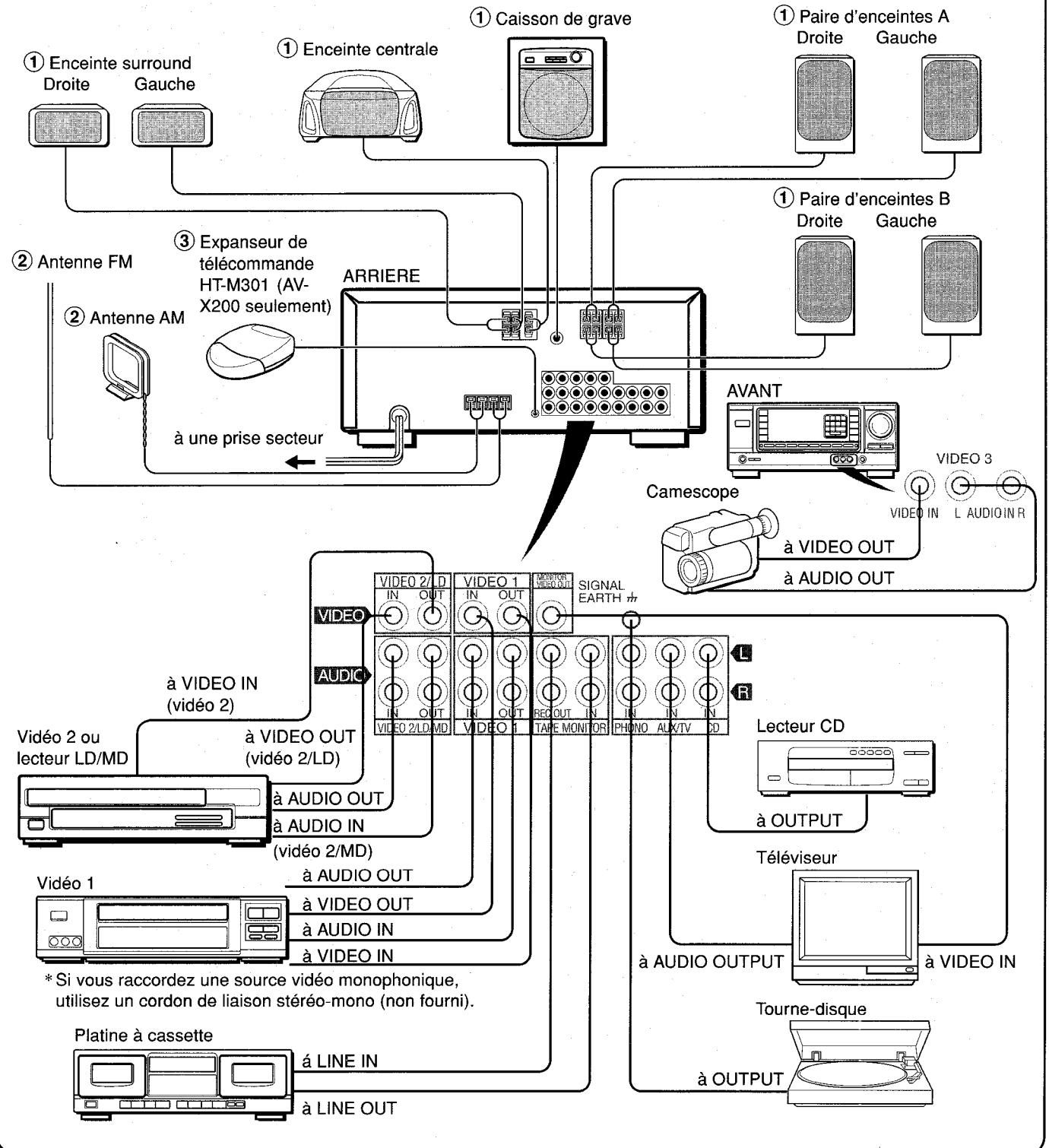
Prises et fiches blanches: Canal gauche des signaux audio

Prises et fiches jaunes: Signaux vidéo

## REMARQUE

Insérez les fiches à fond dans les prises. Des connexions relâchées peuvent produire un bourdonnement ou d'autres interférences.

Les numéros sur l'illustration ci-dessous correspondent aux explications qui suivent dans le mode d'emploi.



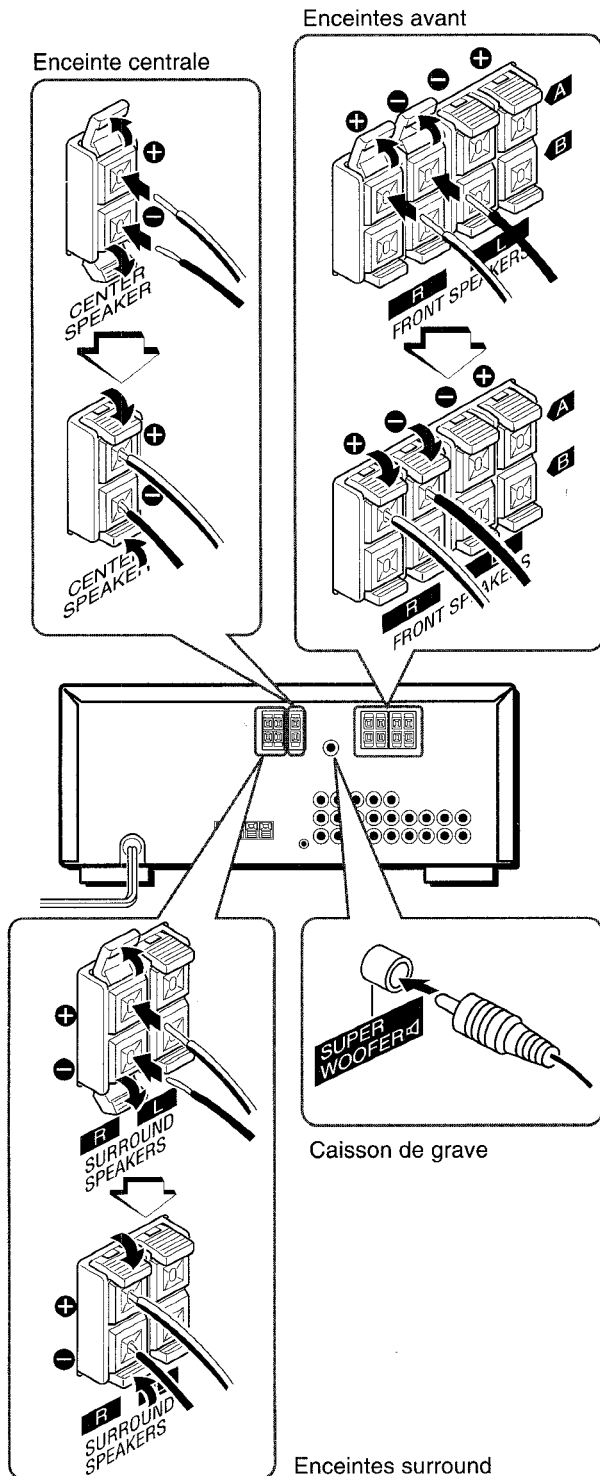


## RACCORDEMENT DES ENCEINTES ①

Raccordez des enceintes avant (paires A et B), une enceinte centrale et des enceintes surround à l'ampli-tuner.

Raccordez les cordons d'enceintes avant aux bornes FRONT SPEAKERS, les cordons d'enceinte centrale à la borne CENTER SPEAKER et les cordons d'enceintes surround aux bornes SURROUND SPEAKERS.

Pour obtenir des graves encore plus puissants, raccordez un caisson de grave amplifié à la borne SUPER WOOFER.

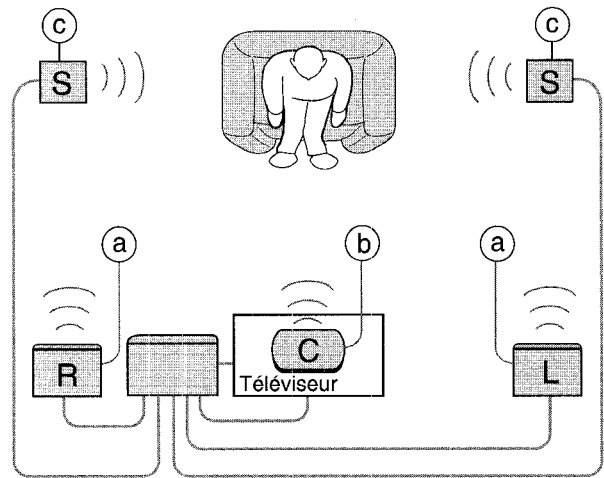


### REMARQUE

- Veillez à raccorder correctement les cordons. Des connexions inadéquates peuvent causer des courts-circuits au niveau des bornes SPEAKER(S).
- Veillez à utiliser des enceintes ayant le nombre d'ohms spécifié.
- Ne pas laisser de sources de magnétisme près des enceintes.
- Quand vous utilisez un caisson de grave, sélectionnez la paire d'enceintes A (voir page 6), sinon il ne fournira aucun son.

## POSITIONNEMENT DES ENCEINTES

Positionnez les enceintes de manière à tirer le meilleur parti des effets Dolby Pro Logic ou DSP (voir "DOLBY PRO LOGIC").



### a Enceintes avant

### b Enceinte centrale

Installez l'enceinte centrale entre les deux enceintes avant et sur ou sous le téléviseur, si l'ampli-tuner est raccordé à un téléviseur.

### c Enceintes surround

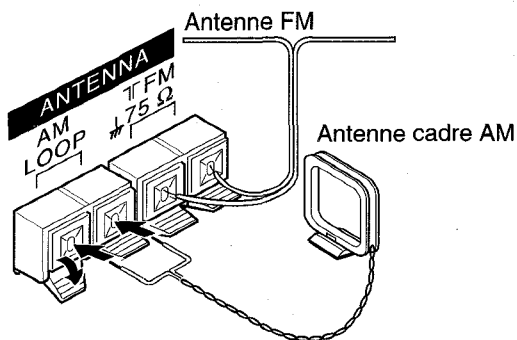
Installez les enceintes surround directement sur les côtés ou légèrement en retrait de la position d'écoute. Alignez-les horizontalement à environ 1 m (3,2 pieds) au-dessus du niveau des oreilles.

### REMARQUE

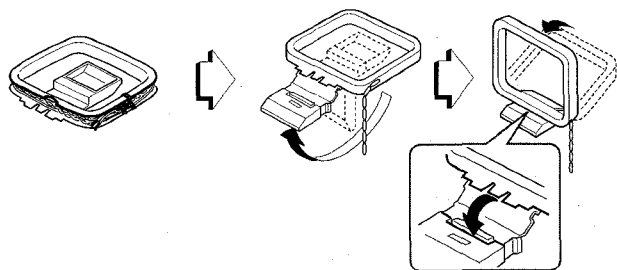
- Les enceintes centrale et surround ne fournissent aucun son quand le Dolby Pro Logic et le DSP sont hors service.
- L'enceinte centrale ne fournit le son que lorsque le Dolby Pro Logic est en service.

## RACCORDEMENT DES ANTENNES FOURNIES ②

Raccordez l'antenne FM aux bornes FM 75  $\Omega$  et l'antenne AM aux bornes AM LOOP.



**Pour poser l'antenne cadre AM sur une surface**  
Insérez la saillie dans la rainure comme indiqué sur l'illustration.



### Pour positionner les antennes

#### Antenne fil FM:

Étendez-la à l'horizontale de manière à former un T et fixez ses extrémités au mur.

#### Antenne cadre AM:

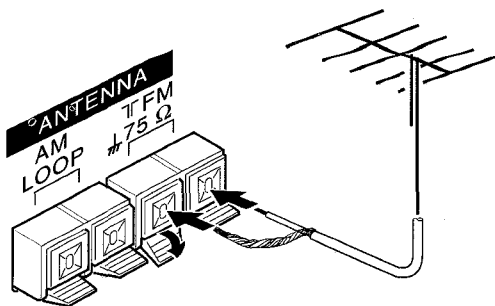
Faites-la pivoter pour trouver la meilleure direction.

### REMARQUE

- Ne pas approcher l'antenne FM d'objets métalliques ou de tringles de rideaux.
- Ne pas approcher l'antenne AM d'autres appareils, de l'amplificateur, du cordon secteur ou des cordons d'enceintes, car elle pourrait capter du bruit.
- Ne pas dérouler le fil de l'antenne cadre AM.

## RACCORDEMENT D'UN ANTENNE EXTERIEURE

Pour garantir une réception FM de qualité, il est conseillé d'utiliser une antenne extérieure. Raccordez l'antenne extérieure aux bornes FM 75  $\Omega$ .



## RACCORDEMENT DE L'EXPANSEUR DE TELECOMMANDE ③ (AV-X200 seulement)

Raccordez l'expandeur de télécommande HT-M301 à la prise TO REMOTE CONTROL EXTENDER sur le panneau arrière.



### REMARQUE

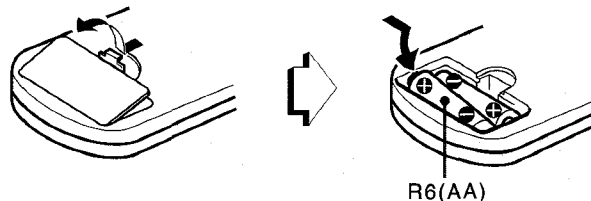
Positionnez l'expandeur de télécommande fourni de sorte qu'aucun obstacle, meuble ou verre opaque ne se trouve entre l'expandeur de télécommande et l'appareil raccordé.

## TELECOMMANDE

Ce système de télécommande peut mémoriser les codes des signaux d'autres télécommandes (voir "MEMORISATION DE CODES DE TELECOMMANDE"), et vous permet de piloter d'autres appareils par l'intermédiaire de l'expandeur de télécommande fourni (AV-X200 seulement).

### Mise en place des piles

Enlevez le couvercle du logement des piles au dos de la télécommande et insérez deux piles R6 (format AA).



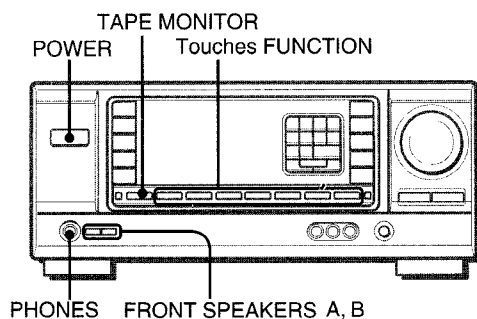
### Remplacement des piles

La portée maximale de la télécommande, c'est-à-dire la distance entre la télécommande et le capteur de l'amplificateur, devrait être de 5 mètres (16 pieds). Quand la portée est réduite, remplacez les piles par des neuves.

### REMARQUE

- Si vous prévoyez de ne pas utiliser l'amplificateur pendant une certaine période, enlevez les piles de la télécommande pour éviter toute fuite de l'électrolyte des piles.
- La télécommande risque de ne pas fonctionner correctement quand:
  - La ligne de vue entre la télécommande et le capteur de télécommande dans l'afficheur est exposée à une lumière intense, par exemple une lumière directe.
  - D'autres télécommandes sont utilisées à proximité (télécommande de téléviseur, par ex.).

## AVANT DE COMMENCER



### Pour mettre l'ampli-tuner sous tension

Appuyez sur une des touches FUNCTION (TUNER, PHONO, AUX/TV, CD, VIDEO 1, VIDEO 2, VIDEO 3) ou sur la touche TAPE MONITOR. Quand vous appuyez sur la touche TUNER, la station accordée en dernier lieu est reçue (Mise en service directe).

Vous pouvez aussi utiliser l'interrupteur POWER.

#### REMARQUE

Quand vous mettez l'ampli-tuner sous tension:

- Tournez la commande VOLUME complètement vers MIN, sinon les enceintes risquent d'être endommagées.
- Aucune fonction ne peut être activée pendant quatre secondes.

### Pour changer le nom de source sur l'afficheur

Quand l'ampli-tuner est sous tension, appuyez sur l'interrupteur POWER tout en tenant la touche AUX/TV ou VIDEO 2 enfoncée. Répétez les opérations pour sélectionner un des noms indiqués ci-dessous.

AUX ou TV: Pour la touche AUX/TV

VIDEO 2, LD ou MD: Pour la touche VIDEO 2

### Sélection de la paire d'enceintes avant

Pour utiliser la paire d'enceintes A: Appuyez sur la touche FRONT SPEAKERS A.

Pour utiliser la paire d'enceintes B: Appuyez sur la touche FRONT SPEAKERS B.

Pour utiliser les deux paires d'enceintes: Appuyez sur les deux touches.

Appuyez une nouvelle fois sur ces touches pour mettre une paire d'enceintes, ou les deux, hors service.

#### REMARQUE

Comme les paires d'enceintes avant A et B sont raccordées en série:

- le son est légèrement réduit quand vous utilisez les deux paires d'enceintes
- aucun son n'est audible si les touches FRONT SPEAKERS A et B sont enclenchées mais qu'une seule paire d'enceintes est raccordée

### Utilisation d'un casque

Raccordez un casque à fiche standard stéréo ø6,3 mm (1/4 pouce) à la prise PHONES.

N'oubliez pas de désactiver les touches FRONT SPEAKERS A et B.

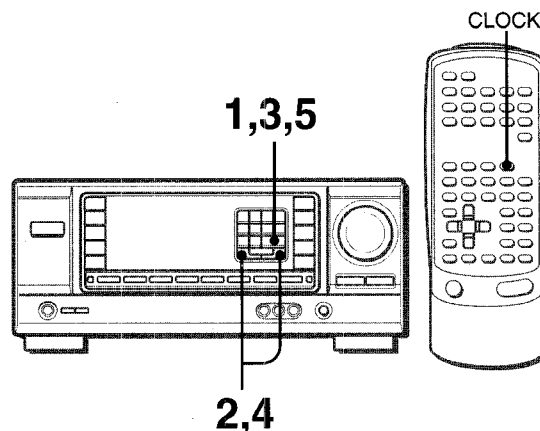
#### REMARQUE

Quand vous utilisez un casque, mettez le Dolby Pro Logic et le DSP hors service.

### Après utilisation

Appuyez sur l'interrupteur POWER pour éteindre l'ampli-tuner. L'horloge apparaît sur l'afficheur.

## REGLAGE DE L'HORLOGE



Quand le cordon secteur est raccordé au secteur pour la première fois, l'horloge clignote sur l'afficheur.

Réglez-la de la façon suivante quand l'ampli-tuner est éteint.

### 1 Appuyez sur la touche SET.

L'heure clignote.



### 2 Appuyez sur la touche DOWN▼ ou UP▲ pour désigner l'heure.

### 3 Appuyez sur la touche SET pour valider l'heure.

L'heure cesse de clignoter et les minutes clignotent.

### 4 Appuyez sur la touche DOWN▼ ou UP▲ pour désigner les minutes.

### 5 Appuyez sur la touche SET pour valider les minutes et terminer le réglage.

Les minutes cessent de clignoter sur l'afficheur et l'horloge se met en marche à partir de 00 seconde.

### Pour remettre l'horloge à l'heure

Appuyez sur l'interrupteur POWER pour mettre l'ampli-tuner hors tension. Appuyez sur la touche SET et effectuez les opérations 1 à 5 ci-dessus.

### Pour afficher l'heure actuelle

Appuyez sur la touche CLOCK de la télécommande. L'heure est affichée pendant 4 secondes.

### Pour passer au standard de 24 heures

Appuyez sur l'interrupteur POWER tout en tenant la touche UP▲ ou DOWN▼ enfoncée.

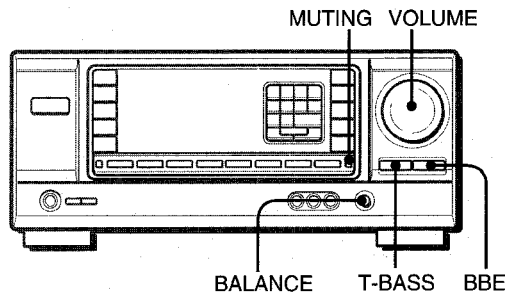
Répétez la même opération pour rétablir le standard de 12 heures.

### Si l'affichage de l'heure clignote quand l'ampli-tuner est hors tension

Il y a eu une interruption de courant. L'horloge doit être remise à l'heure.

Si l'alimentation est interrompue pendant plus de 24 heures, tous les réglages mémorisés après l'achat doivent être de nouveau effectués.

## REGLAGE PERSONNEL DU SON



### REGLAGE DE VOLUME

Tournez la commande de volume sur l'ampli-tuner ou appuyez sur les touches VOLUME de la télécommande.

#### Pour ajuster la balance gauche/droite

Tournez la commande BALANCE.

#### Pour couper provisoirement le son

Appuyez sur la touche MUTING.

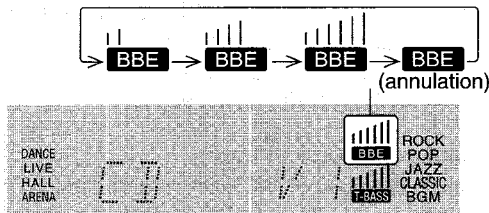
"MUTE ON" apparaît sur l'afficheur pendant quatre secondes. Quand le son est coupé, la touche FUNCTION sélectionnée clignote. Appuyez une nouvelle fois sur la touche MUTING pour rétablir le son.

### SYSTEME BBE

Le système BBE permet d'améliorer la clarté des hautes fréquences.

#### Appuyez sur la touche BBE.

A chaque pression, le niveau change. Sélectionnez un des trois niveaux, ou la position d'annulation si vous préférez.



#### REMARQUE

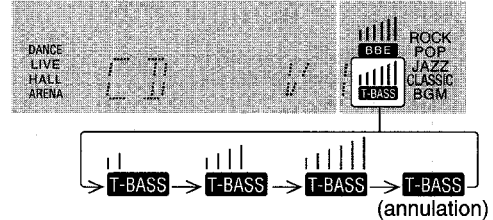
Le système BBE est automatiquement annulé quand vous mettez le Dolby Pro Logic en service.

### SYSTEME SUPER T-BASS

Le système T-BASS sert à renforcer le réalisme des basses fréquences.

#### Appuyez sur la touche T-BASS.

A chaque pression, le niveau change. Sélectionnez un des trois niveaux, ou la position d'annulation si vous préférez.



#### REMARQUE

Le son des basses fréquences peut présenter des distorsions quand le système T-BASS est utilisé avec un disque ou une cassette sur lesquels les graves sont amplifiés d'origine. Dans ce cas, mettez le système T-BASS hors service.

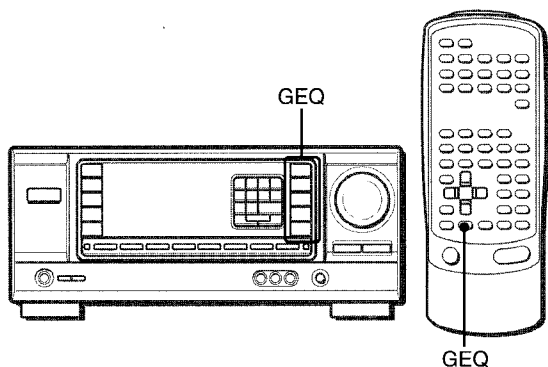
### REGLAGE DU SON PENDANT L'ENREGISTREMENT

Vous pouvez varier à volonté le volume de sortie et le timbre (sauf BBE) des enceintes ou du casque sans changer le niveau d'enregistrement.

#### Enregistrement avec le système BBE

Quand vous enregistrez sur la platine à cassette en utilisant les prises REC OUT, la source peut être enregistrée avec la fonction BBE pour rendre le son de hautes fréquences plus clair. Quand vous écoutez une cassette enregistrée avec le BBE, il est conseillé de mettre cette fonction hors service.

## EGALISEUR GRAPHIQUE ELECTRONIQUE



L'ampli-tuner présente les cinq modes d'égalisation suivants.

**ROCK:** Son puissant avec accentuation des aigus et des graves

**POP:** Présence améliorée des voix et des médiums

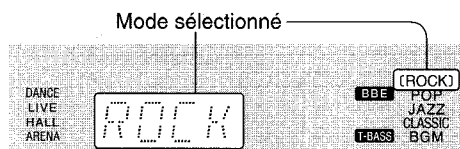
**JAZZ:** Accentuation des basses fréquences pour la musique de type jazz

**CLASSIC:** Son plus riche avec des graves lourds et des aigus fins

**BGM:** Son calme avec graves et aigus supprimés

**Appuyez sur une des touches GEQ (égaliseur graphique).**

Le nom du mode sélectionné apparaît sur l'afficheur pendant deux secondes et le mode sélectionné sur le côté droit de l'afficheur est entre parenthèses.



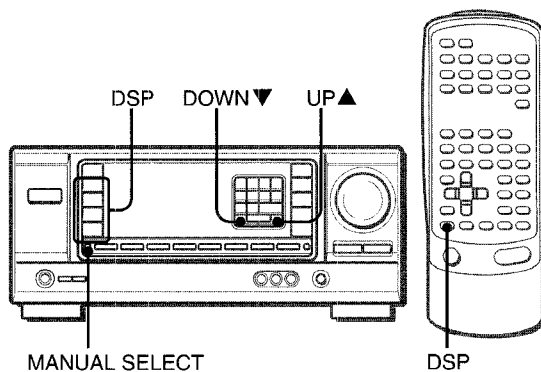
### Pour annuler le mode sélectionné

Appuyez une nouvelle fois sur la touche. "GEQ OFF" apparaît sur l'afficheur.

### Pour sélectionner le mode avec la télécommande

Appuyez de façon répétée sur la touche GEQ jusqu'à ce que le mode d'égalisation souhaité apparaisse.

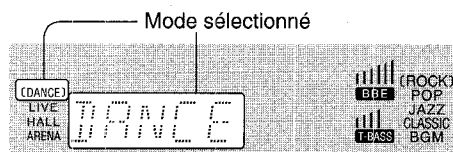
## PROCESSEUR D'AMBIANCE



Les circuits du processeur d'ambiance (DSP) peuvent recréer l'effet de sons réfléchis par les murs et les plafonds, pour simuler la présence d'un environnement particulier. Il y a quatre modes d'ambiance avec les modes d'égalisation correspondants. Les modes d'égalisation sont automatiquement sélectionnés et peuvent être activés ou désactivés selon vos goûts.

### Appuyez sur une des touches DSP (DANCE, LIVE, HALL ou ARENA).

Le nom du mode sélectionné apparaît sur l'afficheur pendant deux secondes et le mode sélectionné sur la gauche de l'afficheur est entre parenthèses.



### Quand la source de musique est monophonique

Sélectionnez LIVE pour simuler un effet stéréo. Quand vous sélectionnez DANCE, HALL ou ARENA, aucun son n'est fourni par les enceintes surround.

### Pour annuler le mode sélectionné

Appuyez une nouvelle fois sur la touche sélectionnée. "DSP OFF" apparaît sur l'afficheur. Quand le processeur d'ambiance est hors service, aucun son n'est fourni par les enceintes surround.

### Pour sélectionner le mode avec la télécommande

Appuyez de façon répétée sur la touche DSP jusqu'à ce que le mode DSP souhaité soit affiché.

### Pour ajuster le volume des enceintes surround

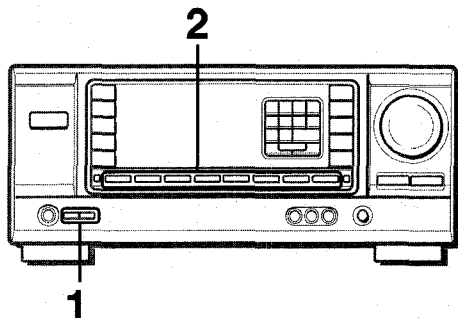
Appuyez une fois sur MANUAL SELECT. "SUR" est affiché pendant quatre secondes. Appuyez sur UP▲ ou DOWN▼ quand "SUR" est affiché.

Notez que le niveau des enceintes surround en mode Dolby Pro Logic change aussi (voir page 13).

### REMARQUE

Le DSP est automatiquement annulé quand vous mettez le DOLBY PRO LOGIC en service.

## SELECTION D'UNE SOURCE AUDIO OU VIDEO

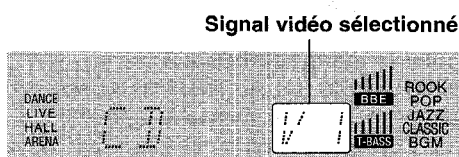


- 1 Sélectionnez la paire d'enceintes avec les touches FRONT SPEAKERS A et B.  
Appuyez sur une des touches FRONT SPEAKERS.
- 2 Sélectionnez la source de programme.  
Appuyez sur une des touches FUNCTION ou la touche TAPE MONITOR.

Pour écouter ou regarder	Appuyez sur la touche
une cassette	TAPE MONITOR
la radio	TUNER
un disque analogique	PHONO
la télévision, etc.	AUX/TV
un disque compact	CD
une vidéo (LD ou MD)	VIDEO 1, VIDEO 2 (LD/MD), VIDEO 3

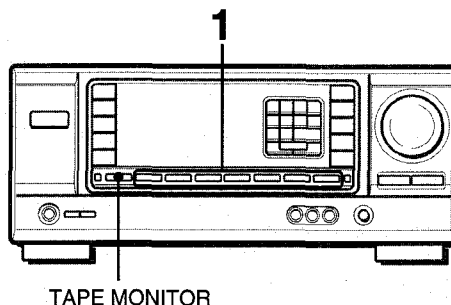
- 3 Démarrez la source de programme sélectionnée.
- 4 Réglez le son.

A propos du signal vidéo fourni au moniteur ou téléviseur



Le signal vidéo sélectionné fourni à la prise MONITOR VIDEO OUT est indiqué sur l'afficheur.

## ENREGISTREMENT D'UNE SOURCE AUDIO



- 1 Sélectionnez la source de programme qui doit être enregistrée.  
Appuyez sur une des touches FUNCTION.
- 2 Mettez la platine à cassette ou l'enregistreur MD en mode d'enregistrement.
- 3 Démarrez la source de programme sélectionnée.

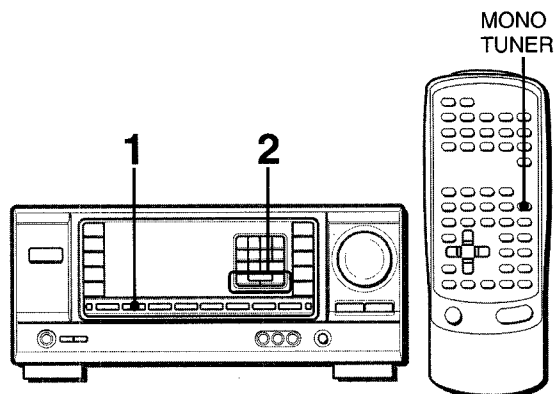
**Pour contrôler le son enregistré pendant l'enregistrement (quand la platine à cassette raccordée a trois têtes)**

Appuyez sur la touche TAPE MONITOR. "TAPE ON" apparaît sur l'afficheur pendant quatre secondes, puis le nom de la source sélectionnée à l'étape 1 réapparaît. Pour cesser de contrôler le son, appuyez une nouvelle fois sur la touche pour que "TAPE OFF" apparaisse.

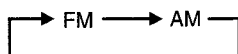
### REMARQUE

- Le son contrôlé avec le système BBE n'a aucun effet sur l'enregistrement (voir page 7).
- Le son enregistré ne peut pas être contrôlé si la platine à cassette raccordée n'a pas trois têtes.

## ACCORD MANUEL



1 Appuyez de façon répétée sur la touche TUNER pour sélectionner la gamme souhaitée.



Si l'ampli-tuner était hors tension, la station accordée en dernier lieu est reçue (Mise en service directe).

2 Appuyez sur la touche UP▲ ou DOWN▼ pour sélectionner une station.

A chaque pression sur la touche, la fréquence change. Quand vous recevez une station, "TUNE" est affiché pendant deux secondes. Pendant la réception stéréo FM, ((Ⓜ)) est affiché.



**Pour rechercher rapidement une station (recherche automatique)**

Appuyez en continu sur la touche UP▲ ou DOWN▼ jusqu'à ce que la recherche commence. Quand une station est accordée, la recherche s'arrête.

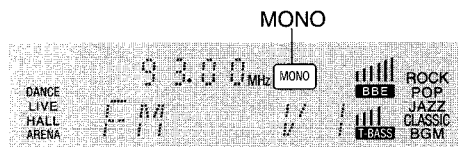
Pour arrêter la recherche automatique, appuyez sur la touche UP▲ ou DOWN▼.

- La recherche automatique peut ne pas s'arrêter sur les stations dont le signal est trop faible.

**Quand une émission FM stéréo est parasitée**

Appuyez sur la touche MONO TUNER de la télécommande pour que "MONO" apparaisse sur l'afficheur.

Le bruit est réduit, mais la réception est monophonique.



Pour rétablir la réception stéréo, appuyez sur la touche pour que MONO disparaisse.

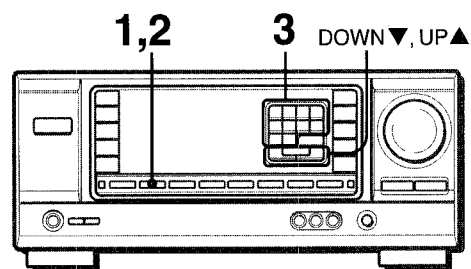
**Pour changer l'intervalle d'accord AM**

Le réglage par défaut de l'intervalle d'accord AM est de 10 kHz. Si vous utilisez cet ampli-tuner dans un pays où l'attribution des fréquences est de 9 kHz, changez l'intervalle d'accord.

Tout en tenant la touche TUNER enfoncée, appuyez immédiatement sur l'interrupteur POWER. Notez que l'ampli-tuner passe au mode d'accord direct si vous appuyez pendant environ deux secondes sur la touche TUNER.

Pour revenir à l'intervalle initial, refaites les mêmes opérations.

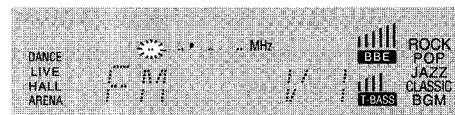
## ACCORD DIRECT



Si vous connaissez la fréquence de la station souhaitée, vous pouvez l'accorder directement.

1 Appuyez sur la touche TUNER pour sélectionner une gamme.

2 Appuyez sur la touche TUNER et maintenez-la enfoncée jusqu'à ce que " \_ " clignote sur l'afficheur (Mode d'accord direct).



3 Appuyez sur les touches numériques appropriées pour accorder la station souhaitée.

Par exemple:

Pour faire l'accord sur 106,50 MHz, appuyez sur les touches 1, 0, 6, 5 et 0.

Pour faire l'accord sur 95,25 MHz, appuyez sur les touches 9, 5, 2 et 5.

**Pour annuler le mode d'accord direct**

Appuyez sur la touche UP▲ ou DOWN▼.

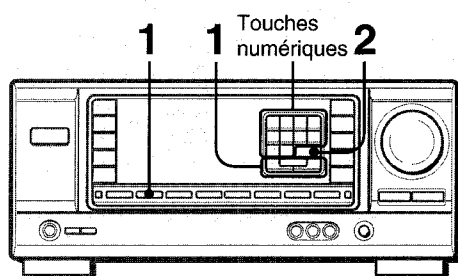
**REMARQUE**

- Quand vous entrez une fréquence hors de la plage d'accord, la valeur clignote sur l'afficheur pendant deux secondes puis s'éteint. Vérifiez la fréquence et refaites l'opération 3 correctement.
- Si vous entrez une fréquence non couverte par l'intervalle d'accord, la valeur est automatiquement arrondie au chiffre inférieur ou supérieur le plus proche.

OPERATIONS DE BASE  
RECEPTION RADIO

F

# PREREGLAGES DES STATIONS

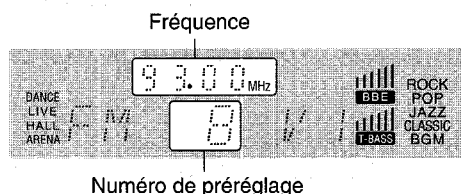


L'ampli-tuner peut mémoriser en tout 32 stations. Quand une station est mémorisée, un numéro de préréglage est affecté à cette station. Utilisez le numéro de préréglage pour accorder directement la station préréglée.

**1 Appuyez sur la touche TUNER pour sélectionner la gamme et sur la touche UP▲ ou DOWN▼ pour sélectionner une station. Vous pouvez aussi utiliser l'accord direct.**

**2 Appuyez sur la touche SET pour mémoriser la station.**

Un numéro est affecté à chaque station mémorisée, à partir de 1 dans l'ordre consécutif pour chaque gamme.



**3 Refaites les opérations 1 et 2.**

Il n'est pas possible de préréglage une nouvelle station si 32 stations sont déjà mémorisées pour toutes les gammes.

## REMARQUE

Quand vous changez l'intervalle d'accord AM, toutes les stations préréglées sont supprimées. Vous devez les préréglage une nouvelle fois.

# ACCORD DES STATIONS PREREGLEES

**1 Appuyez sur la touche TUNER pour sélectionner une gamme.**

**2 Appuyez sur les touches numériques pour sélectionner une station préréglée.**

Par exemple:

Pour sélectionner le numéro de préréglage 25, appuyez sur 2 et 5.

Pour sélectionner le numéro de préréglage 7, appuyez sur 0 et 7.

## Pour supprimer une station préréglée

Sélectionnez le numéro de préréglage de la station que vous voulez supprimer. Appuyez ensuite sur la touche SET puis, dans les quatre secondes, une nouvelle fois sur la touche SET.


Les numéros de préréglage de toutes les stations de la gamme, supérieurs au numéro annulé diminuent d'une unité.



Le Dolby Pro Logic combiné avec des enceintes surround et centrale (standard) permettent de bénéficier d'un véritable son de cinéma domestique. Quand vous reproduisez des disques laser ou des cassettes vidéo qui ont été spécialement enregistrés avec quatre canaux (gauche, droit, centre, surround) et une logique directionnelle (pour la directivité du son), un son d'un réalisme étonnant enveloppe l'auditeur et assure un divertissement audio/vidéo d'un nouveau genre.

Le réglage indépendant des quatre canaux permet à l'auditeur de bénéficier d'un son tel que l'on peut en faire l'expérience au cinéma. Les voix sont reproduites par le champ sonore avant et central, tandis que l'ambiance, par exemple bruits de voitures ou de la foule, enveloppe de toute part et recrée une atmosphère incroyablement réaliste. Veuillez lire attentivement ce qui suit pour "accorder" la sortie du système en fonction des caractéristiques de votre salle d'écoute.

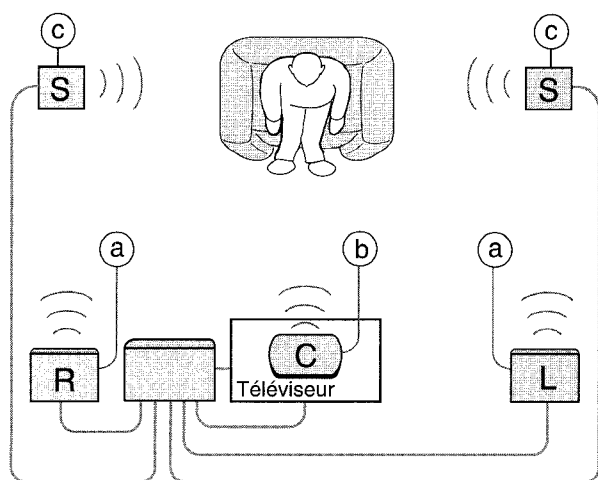
### Vérifiez les points suivants:

- Avant d'utiliser le DOLBY PRO LOGIC, ajustez correctement la balance du niveau sonore des enceintes (voir page 13).
- Assurez-vous que les enceintes ont été raccordées et installées correctement (voir pages 3 et 4).
- Assurez-vous que le téléviseur et l'appareil vidéo sont raccordés correctement (voir page 3).
- Assurez-vous que le disque laser ou la cassette vidéo, etc. porte le logo .

## SELECTION DU DOLBY PRO LOGIC

Le mode Dolby Pro Logic optimal dépend du type et de l'emplacement des enceintes. Il est conseillé d'utiliser les enceintes optionnelles Aiwa pour tous les canaux, c'est-à-dire les SX-R260 comme enceintes surround, la SX-C500 comme enceinte centrale et les SX-AV500 comme enceintes avant.

Sélectionnez le mode Dolby Pro Logic en fonction de la configuration de vos enceintes.



- (a) Enceintes avant
- (b) Enceinte centrale
- (c) Enceintes surround

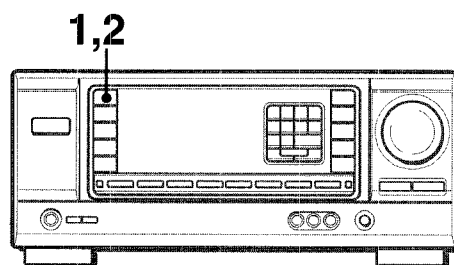
### Mode conseillé

	Enceinte centrale		
	Grande dimension	Petite dimension	Sans enceinte
Enceintes surround (enceintes arrière)	DOLBY PRO LOGIC-WIDE	DOLBY PRO LOGIC-NORMAL	PHANTOM
Sans enceintes surround	3CH LOGIC-WIDE	3CH LOGIC-NORMAL	-

**Mode PHANTOM:** Sélectionnez ce mode si vous ne raccordez pas d'enceinte centrale. Les signaux du canal central sont redistribués sur les enceintes avant gauche et droite.

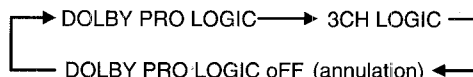
**Mode 3CH LOGIC:** Sélectionnez ce mode si vous ne raccordez pas d'enceintes surround.

## POUR SÉLECTIONNER UN MODE DOLBY PRO LOGIC



### 1 Appuyez de façon répétée sur la touche DOLBY PRO LOGIC pour sélectionner le mode approprié.

Quand vous sélectionnez le mode DOLBY PRO LOGIC ou 3CH LOGIC, l'indicateur s'allume et le nom du mode sélectionné défile sur l'afficheur. A chaque pression sur la touche, le mode change de la façon suivante.



### 2 Appuyez une nouvelle fois sur la touche DOLBY PRO LOGIC et tenez la touche enfoncée jusqu'à ce que le mode d'enceinte centrale que vous voulez sélectionner apparaisse.

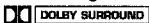
Quand vous sélectionnez le mode DOLBY PRO LOGIC à l'étape 1:

"NORMAL", "WIDE" et "PHANTOM" apparaissent tour à tour sur l'afficheur.

Quand vous sélectionnez le mode 3CH LOGIC à l'étape 1:

"NORMAL" et "WIDE" apparaissent tour à tour sur l'afficheur.

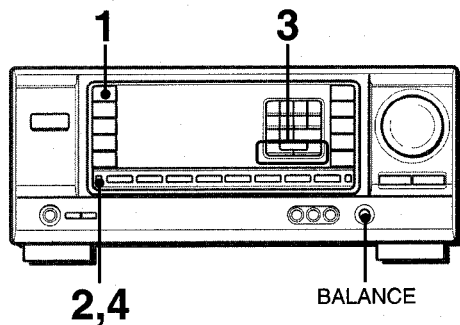
### REMARQUE

- Avec certaines sources et dans certaines conditions d'écoute, vous n'obtiendrez pas l'effet surround escompté même si le DOLBY PRO LOGIC est en service.
- Vous n'obtiendrez pas un effet DOLBY PRO LOGIC parfait si les enregistrements que vous utilisez ne portent pas le logo . Dans ce cas, utilisez plutôt le DSP (voir page 8).
- Le système DOLBY PRO LOGIC est automatiquement annulé quand vous mettez le BBE ou DSP en service.

RECEPTION RADIO DOLBY PRO LOGIC

F

# REGLAGE DE LA BALANCE DU NIVEAU DES ENCEINTES



L'ampli-tuner intègre un générateur de signaux d'essai appelé séquenceur de bruit pour faciliter le réglage de la balance des quatre canaux.

Le séquenceur fournit un signal qui passe d'un canal à l'autre, permettant ainsi d'effectuer simplement un réglage du niveau sonore pour obtenir le même niveau apparent pour chaque canal à la position d'écoute.

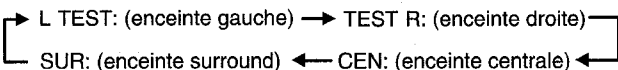
**1 Sélectionnez le mode Dolby Pro Logic en fonction de la configuration actuelle des enceintes.**  
(Voir page 12.)

**2 Appuyez sur la touche MANUAL SELECT et tenez-la enfoncée pendant environ deux secondes jusqu'à ce que "L TEST" apparaisse.**

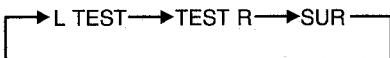


Un signal est envoyé à chaque canal dans l'ordre suivant:

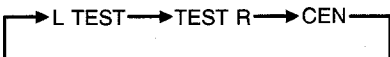
## Mode DOLBY PRO LOGIC NORMAL ou WIDE



## Mode DOLBY PRO LOGIC PHANTOM

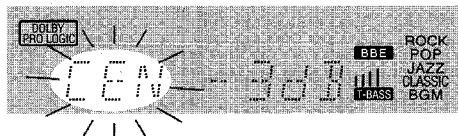


## Mode 3CH LOGIC NORMAL ou WIDE



**3 Ajustez le niveau sonore de l'enceinte centrale et (ou) des enceintes surround.**

Quand "CEN" ou "SUR" est affiché, appuyez sur la touche UP▲ ou DOWN▼ pour ajuster le volume des enceintes centrale ou surround en fonction du niveau des enceintes avant gauche et droite.



Pour ajuster la balance des enceintes gauche et droite, utilisez la commande BALANCE quand "L TEST" ou "TEST R" est affiché.

**4 Appuyez une nouvelle fois sur la touche MANUAL SELECT pour arrêter le signal.**

## REMARQUE

Si vous changez le volume des enceintes surround du mode DSP (voir page 8), celui des enceintes surround dans le mode Dolby Pro Logic change aussi.

## A propos des canaux

**Les enceintes gauche et droite** créent l'effet stéréo.

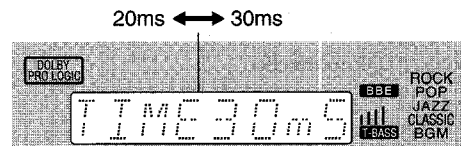
**L'enceinte centrale** permet d'obtenir un positionnement plus précis du son sur un large champs sonore.

**Les enceintes surround** arrièrre augmentent la "profondeur" du champ sonore.

## Pour changer le temps de retard

Les enceintes surround reproduisent le son une fraction de seconde après les enceintes avant. Le retard est initialement réglé sur 20 ms (millisecondes).

Pour changer le temps de retard standard, appuyez deux ou trois fois sur la touche MANUAL SELECT pour que "TIME" soit affiché. Appuyez ensuite sur UP▲ ou DOWN▼. A chaque pression sur une de ces touches, le temps de retard change comme suit.

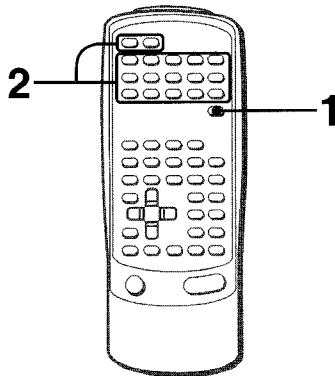


**Pour changer le niveau sonore après avoir ajusté la balance avec le séquenceur de bruit**

Vous pouvez régler le niveau sonore des enceintes centrale et surround pendant qu'un disque laser ou une vidéo est reproduit.

- 1 Appuyez une ou deux fois sur la touche MANUAL SELECT pour sélectionner "CEN" ou "SUR" (centre ou surround).
- 2 Quand "CEN" ou "SUR" est affiché, appuyez sur UP▲ ou DOWN▼ pour ajuster le volume.

# MEMORISATION DE CODES DE TELECOMMANDE (AV-X200 seulement)



La télécommande fournie peut piloter l'appareil raccordé ainsi que l'ampli-tuner si les codes des signaux de la télécommande de l'appareil raccordé ont été auparavant enregistrés. Quand vous utilisez la télécommande, les codes des signaux enregistrés sont transmis à l'expansor de télécommande fourni et font fonctionner l'appareil externe. Cette télécommande peut mémoriser en tout 30 codes d'une autre télécommande.

Utilisez la télécommande.

## 1 Appuyez sur la touche LEARN.

"ADDRESS" clignote sur l'afficheur.



## 2 Appuyez sur les touches MEMORY (A-O), puis sur la touche ADDRESS 1 ou 2 pour désigner la touche sur laquelle le code doit être enregistré.

L'indication que vous avez désignée apparaît sur l'afficheur.

Par exemple: Si vous désignez ADDRESS 1 pour la touche MEMORY A.



## 3 Tout en dirigeant la télécommande de l'appareil raccordé vers l'appareil, appuyez sur la touche de fonction qui doit être mémorisée.

"LEARN" apparaît quand le code est mémorisé.

"ERROR" apparaît si le code n'est pas accepté.



En l'espace de deux secondes, l'affiche de l'étape 1 réapparaît.

## 4 Refaites les opérations 2 et 3 pour mémoriser d'autres codes.

### Quand vous avez fini

Appuyez sur la touche LEARN.

### Remarque

- Le code de l'autre télécommande ne sera peut-être pas reçu:
  - Si le code à enregistrer n'est pas un code standard
  - Si une lampe fluorescente est allumée près du capteur dans l'afficheur
- Certains codes, par exemple, ceux de la touche VOLUME UP/DOWN, de la touche SEARCH et de la touche SEND pour transmettre la programmation d'enregistrement peuvent ne pas être mémorisés correctement. Quand vous utilisez les touches MEMORY et ADDRESS pour faire fonctionner un appareil externe, alors que ces types de codes ont été stockés sur les touches, l'appareil risque de ne pas fonctionner.
- Quand vous désignez une touche sur laquelle un code est déjà enregistré, ce code est effacé.

### Pour utiliser l'appareil raccordé

Appuyez sur une des touches MEMORY et sur la touche ADDRESS 1 ou 2 sur laquelle le code a été enregistré.

### Remarque

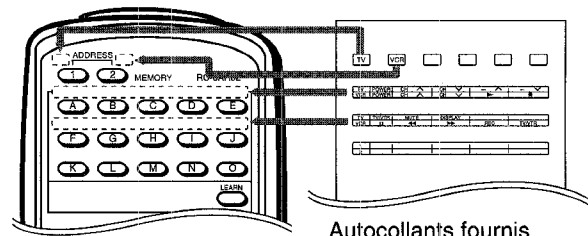
- Installez l'expansor de télécommande de sorte qu'il soit dirigé vers l'appareil que vous voulez utiliser.
- Comme l'expansor de télécommande n'est pas fourni avec l'AV-X100, cette fonction n'est pas disponible sur cet appareil.

### Utilisation des autocollants fournis

Collez les autocollants fournis sur la télécommande pour indiquer les touches et adresses sur lesquelles sont enregistrés les codes d'une autre télécommande.

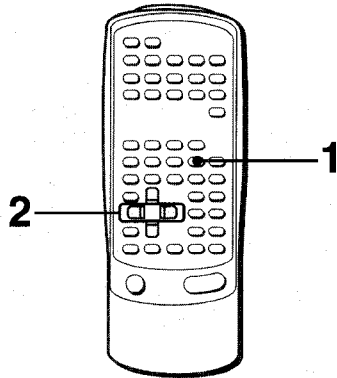
Il est conseillé de mémoriser les signaux dans l'ordre indiqué sur les autocollants. Si cet ordre ne vous convient, utilisez les autocollants vierges fournis.

Enlevez les autocollants de la feuille et collez-les sur la télécommande.



Autocollants fournis

## REGLAGE DE LA MINUTERIE D'ARRÊT



L'ampli-tuner peut être automatiquement mis hors tension à une heure précise.

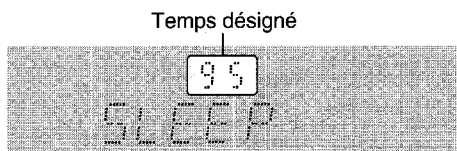
Utilisez la télécommande.

### 1 Appuyez sur la touche SLEEP.



### 2 En l'espace de quatre secondes, désignez le temps de fonctionnement de l'ampli-tuner en appuyant sur la touche UP▲ ou DOWN▼.

A chaque pression sur la touche, le temps change par incréments de 5 minutes de 5 à 240 minutes.



### Pour vérifier le temps restant jusqu'à la mise hors tension

Appuyez une fois sur la touche SLEEP. Le temps restant est affiché pendant quatre secondes.

### Pour arrêter la minuterie

Appuyez deux fois sur la touche SLEEP pour que "SLEEP" disparaisse de l'afficheur.

## SOIN ET ENTRETIEN

Un entretien occasionnel de l'ampli-tuner est indispensable pour garantir des performances optimales.

### Pour nettoyer le coffret

Utilisez un chiffon doux et sec.

Si la surface est extrêmement sale, utilisez un chiffon légèrement imprégné d'une solution détergente neutre. Ne pas utiliser de solvants puissants, tels que l'alcool, la benzine et du diluant, car ils pourraient abîmer la finition.

# SPECIFICATIONS

## Section Tuner FM

Plage d'accord	87,5 MHz à 108 MHz
Sensibilité utilisable (IHF)	13,2 dBf
Bornes d'antenne	75 ohms (asymétrique)

## Section Tuner AM

Plage d'accord	530 kHz à 1710 kHz (intervalle de 10 kHz), 531 kHz à 1602 kHz (intervalle de 9 kHz)
Sensibilité utilisable	350 µV/m
Antenne	Antenne cadre

## Section Amplificateur

Puissance de sortie	<b>[Mode stéréo]</b> <b>Avant</b> AV-X200: 120 watts par canal, minimum RMS à 8 ohms, de 40 Hz à 20 kHz, avec moins de 0,8 % de distorsion harmonique totale AV-X100: 65 watts par canal, minimum RMS à 8 ohms, de 40 Hz à 20 kHz, avec moins de 0,8 % de distorsion harmonique totale <b>[Mode Dolby Pro Logic]</b> <b>Avant</b> AV-X200: 100 watts par canal, minimum RMS à 8 ohms, de 40 Hz à 20 kHz, avec moins de 0,8 % de distorsion harmonique totale AV-X100: 60 watts par canal, minimum RMS à 8 ohms, de 40 Hz à 20 kHz, avec moins de 0,8 % de distorsion harmonique totale <b>Arrière (Surround)</b> AV-X200: 50 watts par canal, minimum RMS à 16 ohms, 1 kHz, avec moins de 0,8 % de distorsion harmonique totale AV-X100: 10 watts par canal, minimum RMS à 16 ohms, 1 kHz, avec moins de 0,8 % de distorsion harmonique totale <b>Centre</b> AV-X200: 100 watts, minimum RMS à 8 ohms, 1 kHz, avec moins de 0,8 % de distorsion harmonique totale AV-X100: 60 watts, minimum RMS à 8 ohms, 1 kHz, avec moins de 0,8 % de distorsion harmonique totale
Distorsion harmonique totale	AV-X200: 0,07 % (105 W, 1 kHz, 8 ohms, Enceintes avant) AV-X100: 0,06 % (40 W, 1 kHz, 8 ohms, Enceintes avant)
Entrées	AUDIO IN PHONO: 2,8 mV (50 kohms) CD: 300 mV (50 kohms) TAPE MONITOR: 200 mV (25 kohms) VIDEO 1, VIDEO 2/LD/MD, VIDEO 3, AUX/TV: 250 mV (50 kohms) VIDEO IN: 1 Vc-c (75 ohms)

## Sorties

AUDIO OUT (REC OUT): 200 mV (2 kohms)  
VIDEO OUT (MONITOR): 1 Vc-c (75 ohms)  
SUPER WOOFER: 3,1 V (AV-X200)/ 2,19 V (AV-X100)  
FRONT SPEAKERS IMP: 8 Ω (enceintes avant A et B): accepte des enceintes de 8 ohms ou plus  
SURROUND SPEAKERS IMP: 16 Ω (enceintes surround): accepte des enceintes de 16 ohms ou plus  
CENTER SPEAKER IMP: 8 Ω: accepte un enceinte de 8 ohms ou plus  
PHONES (jack stéréo): accepte un casque de 32 ohms ou plus  
-20 dB

## Coupure du son

## Généralités


Alimentation	Secteur 120 V, 60 Hz
Consommation	AV-X200: 135 W AV-X100: 115 W
Dimensions (l/h/p)	360 × 153,5 × 330,5 mm (14 <sup>1</sup> / <sub>4</sub> × 6 <sup>1</sup> / <sub>8</sub> × 13 <sup>1</sup> / <sub>8</sub> po.)
Poids	AV-X200: 9,6 kg (21 li. 3 on.) AV-X100: 8,1 kg (17 li. 13 on.)

La conception et les spécifications peuvent être modifiées sans préavis.

## BBE SYSTEM

Le mot "BBE" et le logo "BBE SYSTEM" sont des marques de BBE Sound, Inc.  
Sous licence de BBE Sound, Inc.

## DOLBY PRO LOGIC

Fabriqué sous licence de Dolby Laboratories Licensing Corporation.  
"DOLBY", le symbole du double D  et "PRO LOGIC" sont des marques de fabrique de Dolby Laboratories Licensing Corporation.

## EN CAS DE PANNE

Si l'ampli-tuner ne fonctionne pas comme décrit dans le mode d'emploi, vérifiez les points suivants.

### GENERAL

#### Aucun son.

- Est-ce que le cordon secteur est raccordé correctement?
- Est-ce qu'un raccordement n'est pas exact? (→ page 3)
- Est-ce qu'il y a un court-circuit au niveau des bornes d'enceintes?  
→ Débranchez le cordon secteur, puis raccordez correctement l'enceinte.
- Est-ce que vous avez appuyé sur une mauvaise touche?
- Est-ce que les touches FRONT SPEAKERS A et B sont réglées correctement? (→ page 2)

#### Son émis par une enceinte seulement.

- Est-ce que le réglage BALANCE est correct ?
- Est-ce que l'autre enceinte est débranchée ?

#### Le volume sonore est considérablement réduit.

- Est-ce que vous avez appuyé sur la touche MUTING?

#### Affichage erroné ou dysfonctionnement.

→ Réinitialisez l'ampli-tuner comme indiqué ci-dessous.

### SECTION TUNER

#### Parasites électrostatiques constants.

- Est-ce que l'antenne est correctement raccordée? (→ page 5)
- Est-ce que le signal est faible?  
→ Raccordez une antenne extérieure.

#### La réception contient des interférences ou le son présente de la distorsion.

- Est-ce que la chaîne capte du bruit ou est-ce qu'il y a des interférences par trajets multiples?  
→ Changez l'orientation de l'antenne.  
→ Eloignez l'ampli-tuner des autres appareils électriques.

#### Pour réinitialiser l'ampli-tuner

Si l'affichage ou le fonctionnement n'est pas normal, réinitialisez l'ampli-tuner de la manière suivante.

- 1 Appuyez sur l'interrupteur POWER pour mettre l'ampli-tuner hors tension.
- 2 Appuyez sur l'interrupteur POWER tout en tenant la touche SET enfoncée. Tous les préréglages sont effacés.

Si vous ne pouvez pas mettre l'ampli-tuner hors tension à l'étape 1 parce qu'il ne fonctionne pas normalement, réinitialisez-le en débranchant le cordon secteur et refaites l'opération 2.

## NOMENCLATURE

Les instructions concernant chaque touche de l'ampli-tuner ou la télécommande se trouvent aux pages indiquées ci-dessous.

(ordre alphabétique)	Pages
Commandes	14
ADDRESS	14
AUX/TV	6, 9
BALANCE	7, 13
BBE	7
CD	6, 9
CLOCK	6
DOLBY PRO LOGIC	12
DOWN ▼ (◀)	6, 8, 10, 11, 13, 15
DSP	8
FRONT SPEAKERS A, B	6, 9
GEQ	8
LEARN	14
MANUAL SELECT (TEST)	13
MEMORY	14
MONO TUNER	10
MUTING, MUTE	7
PHONES	6
POWER	6
SET	6, 11
SLEEP	14
TAPE MONITOR	6, 9
T-BASS	7
TUNER, BAND DIRECT	6, 9, 10, 11
UP ▲ (▶)	6, 8, 10, 11, 13, 15
VIDEO 1	6, 9
VIDEO 2, LD/MD	6, 9
VIDEO 3	6, 9
VOLUME	7



---

**AIWA CO.,LTD.**

For Assistance And Information ***Call Toll Free 1-800-BUY-AIWA*** (United States and Puerto Rico)

---

Printed in Malaysia